



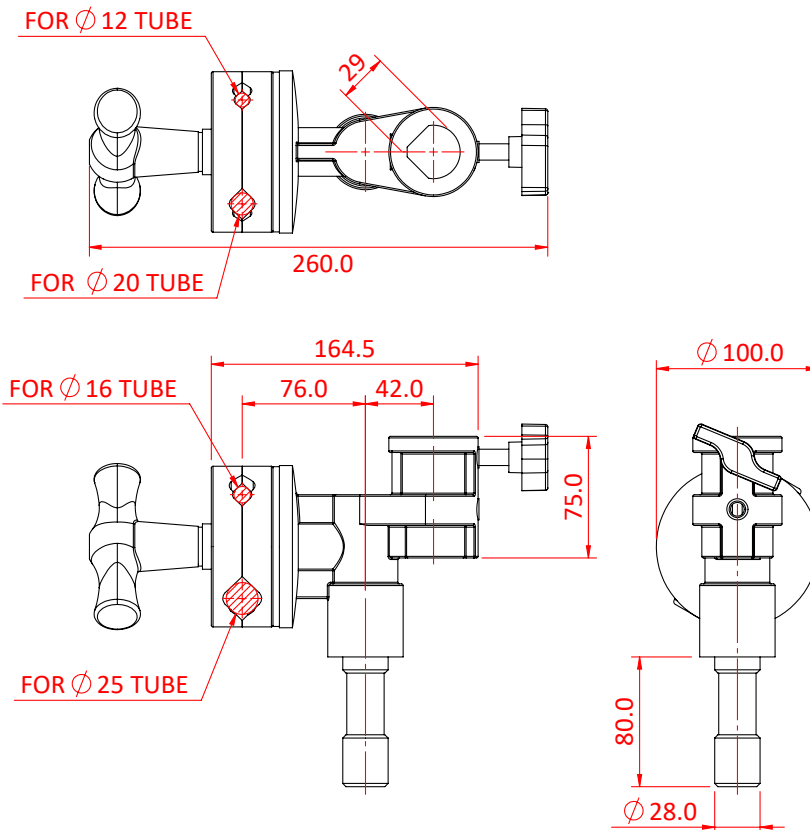
Large Gripheads

Product Data Sheet



A 115mm Griphead with an offset $\text{Ø}29\text{mm}$ receiver and $\text{Ø}28\text{mm}$ spigot	
Part Nos	G1200 - Polished G120001 - Black
Spigot Diameter	$\text{Ø}28\text{mm}$
Receiver Diameter	$\text{Ø}29\text{mm}$
Materials	Cast aluminium Mild Steel
WLL	Not Rated
Weight	2.40Kg

Dimensions in mm



DIMENSIONS ARE A GUIDE ONLY AND MAY VARY

Doughty Engineering Ltd - Crow Arch Lane, Ringwood, Hampshire, BH24 1NZ, UK
 +44 (0) 1425 478961, sales@doughty-engineering.co.uk - www.doughty-engineering.co.uk