



Lightweight Pantographs - Spigot to Receiver

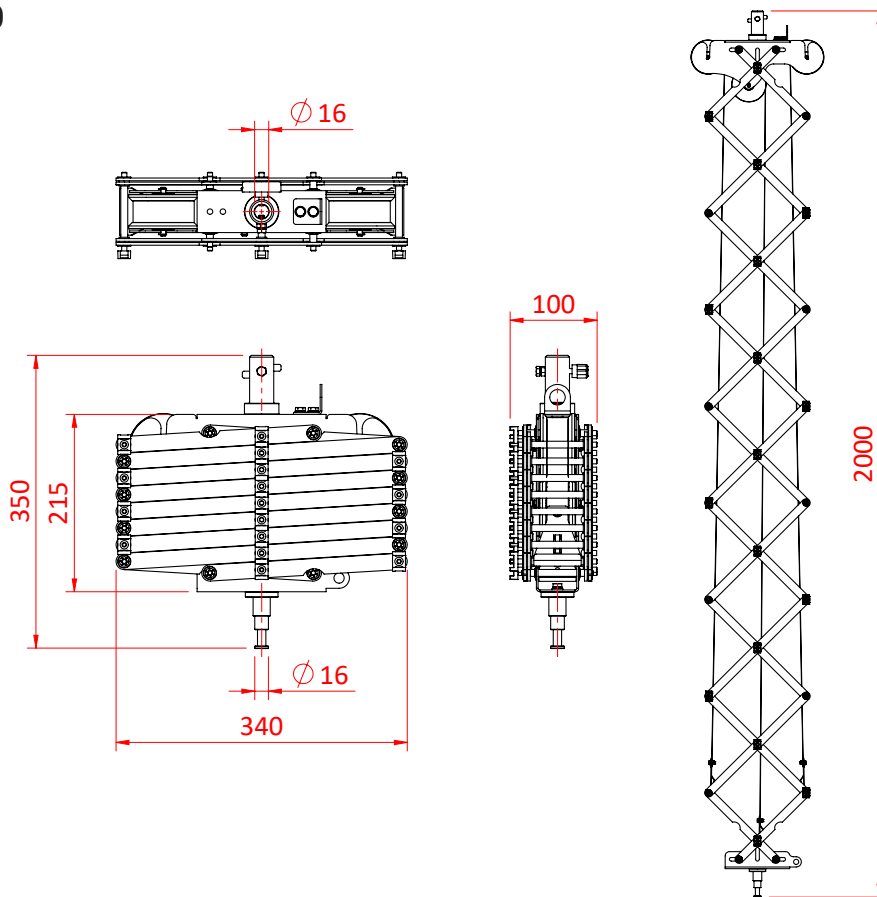
Product Data Sheet



A Lightweight Sprung Pantograph with a Ø16mm receiver	
Part Nos	G1500 - 2.0m - 6.20Kg G1501 - 3.0m - 7.82Kg
Top Mounting	Ø16mm receiver
Bottom Fixing	Ø16mm spigot
WLL	3 - 15Kg

Dimensions in mm

G1500



G1501

