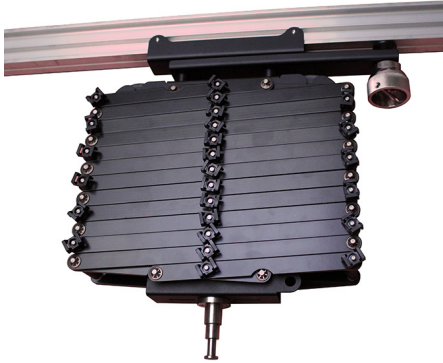




Lightweight Pantographs - Spigot to Studio Rail

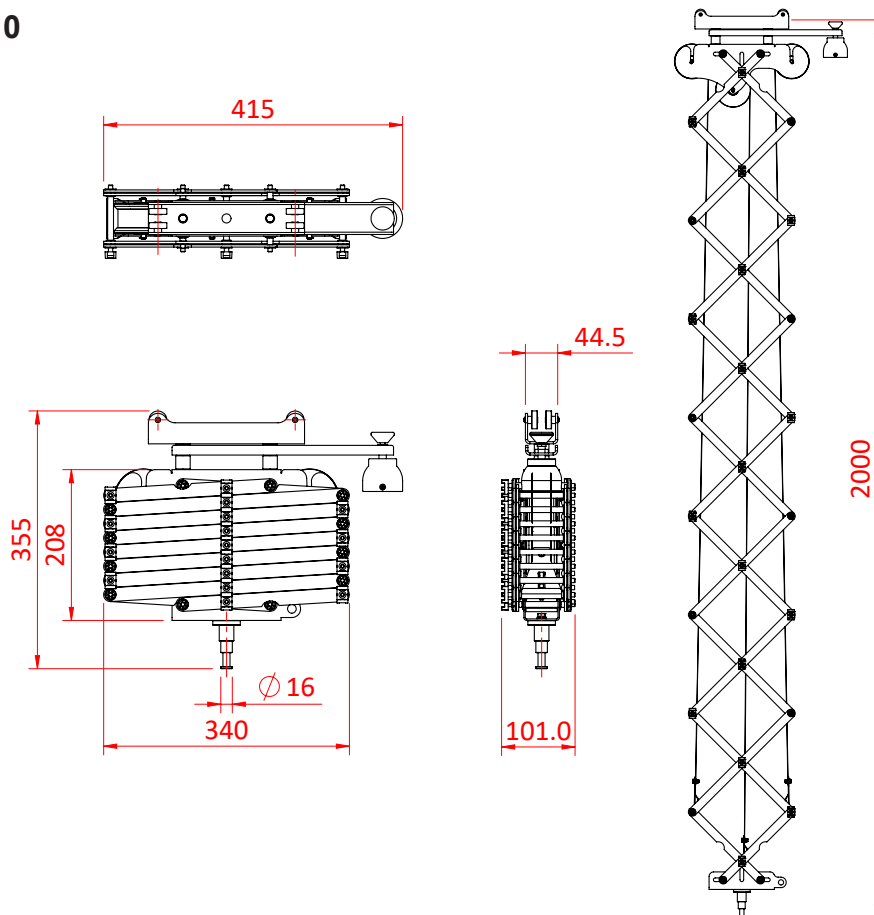
Product Data Sheet



A Lightweight Sprung Pantograph with a Studio Rail 60 carriage	
Part Nos	G1510 - 2.0m - 7.55Kg G1511 - 3.0m - 8.70Kg
Top Mounting	Studio Rail 60
Bottom Fixing	Ø16mm Spigot
WLL	3-15Kg

Dimensions in mm

G1510



G1511

