



# Pantograph 3.0m Drop

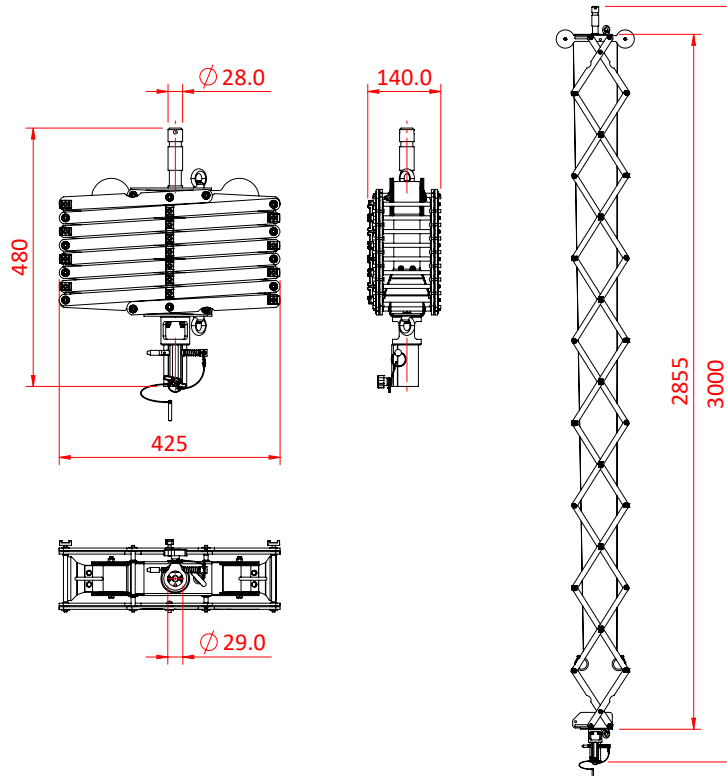
## Product Data Sheet



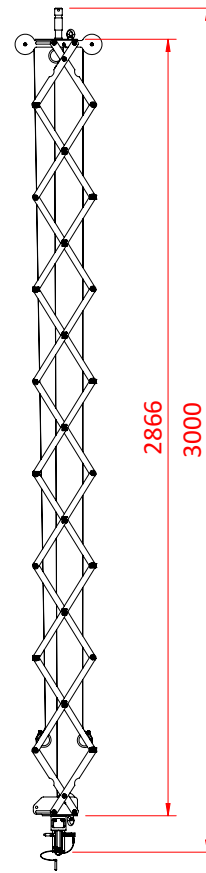
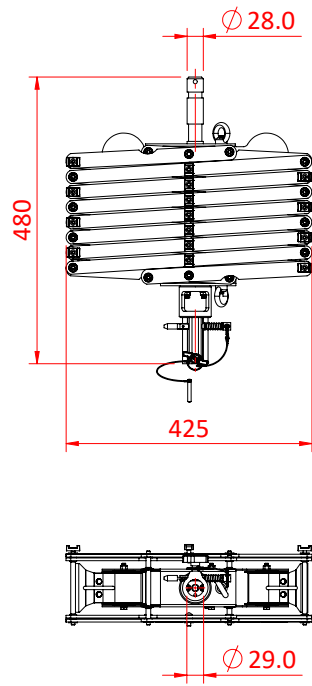
A 3.0m Doughty Sprung Pantograph	
<b>Part Nos</b>	G1662 - 2 Springs - 9.2Kg G1672 - 3 Springs - 10.6Kg G1682 - 4 Springs - 11.6Kg
<b>Top Mounting</b>	Ø28mm spigot
<b>Bottom Fixing</b>	Ø29mm receiver
<b>WLL</b>	G1662 - 12Kg G1672 - 20Kg G1682 - 27Kg

Dimensions in mm

G1662



**G1672**



**G1682**

