



Pantograph 4.0m Drop

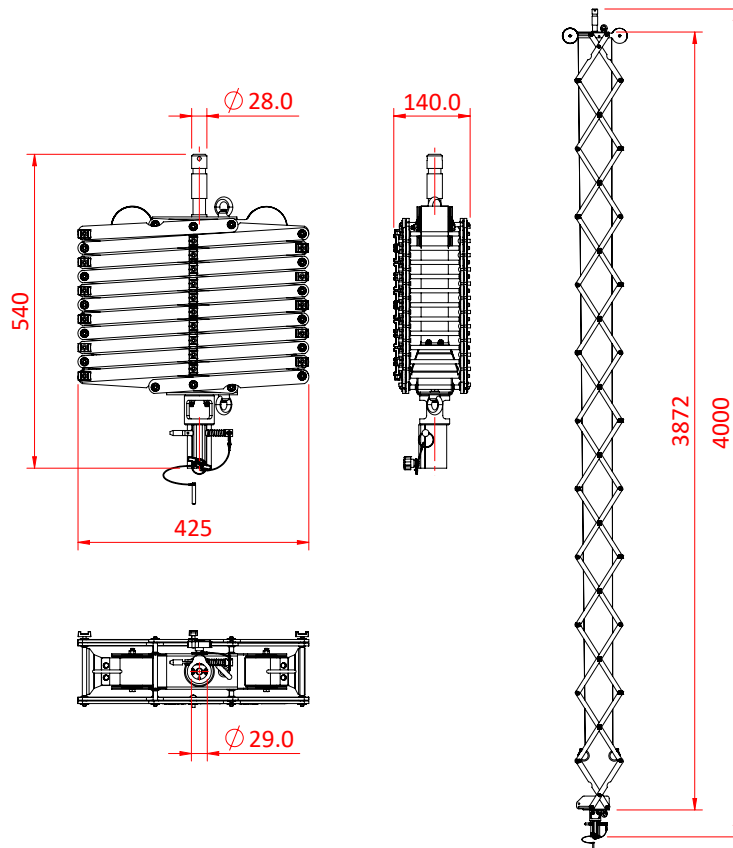
Product Data Sheet



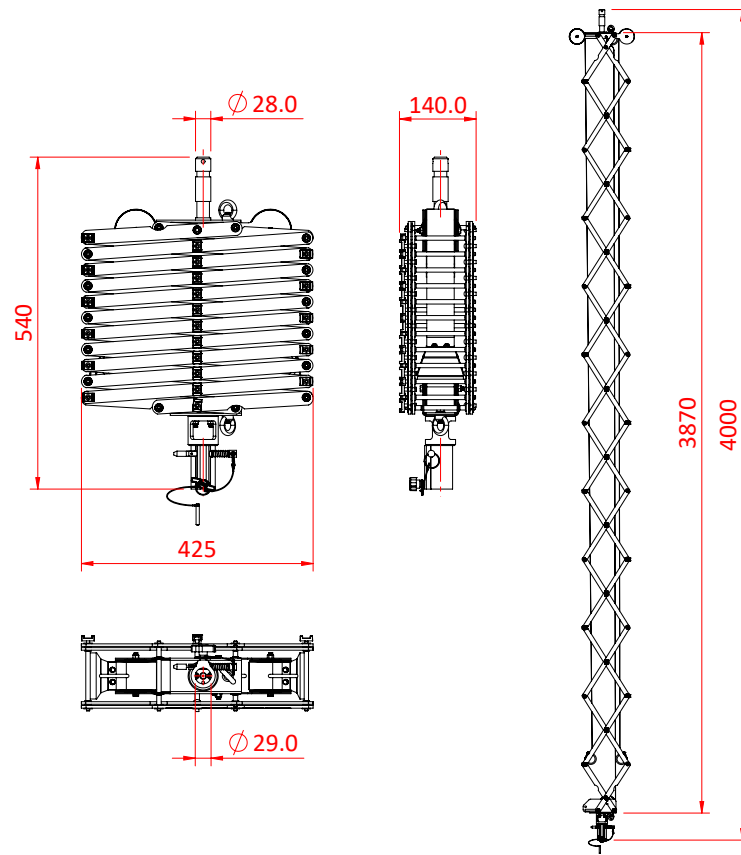
A 4.0m Doughty Sprung Pantograph	
Part Nos	G1664 - 2 Springs - 12Kg G1674 - 3 Springs - 13.7Kg G1684 - 4 Springs - 15.3Kg G1694 - 5 Springs - 16.85Kg
Top Mounting	Ø28mm spigot
Bottom Fixing	Ø29mm receiver
WLL	G1664 - 12Kg G1674 - 20Kg G1684 - 27Kg G1694 - 36Kg

G1664

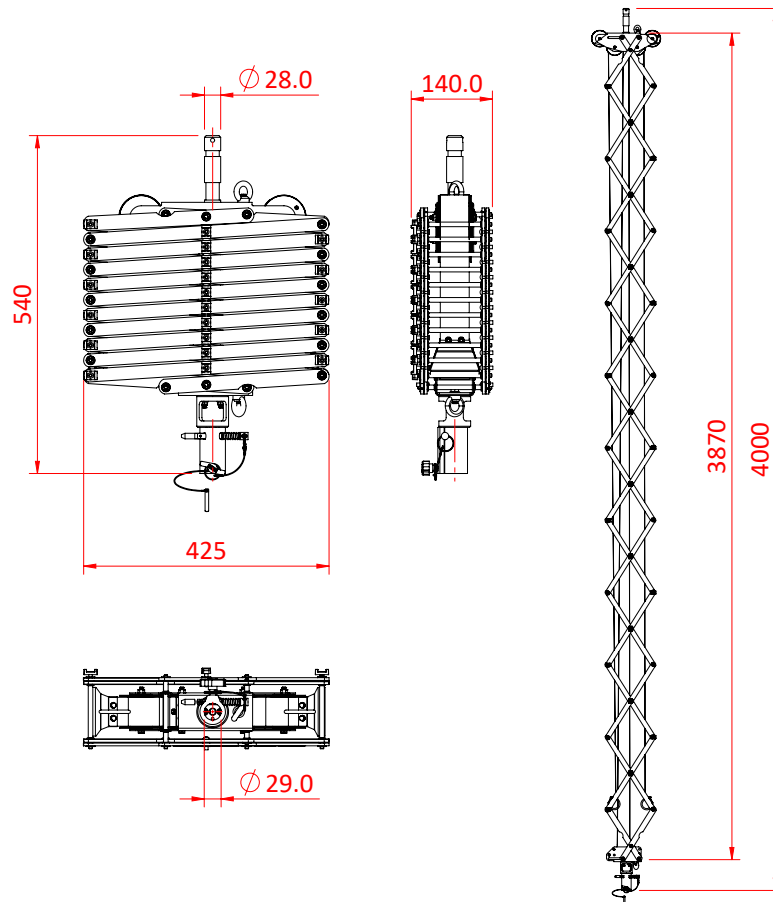
Dimensions in mm



G1674



G1684



G1694

