



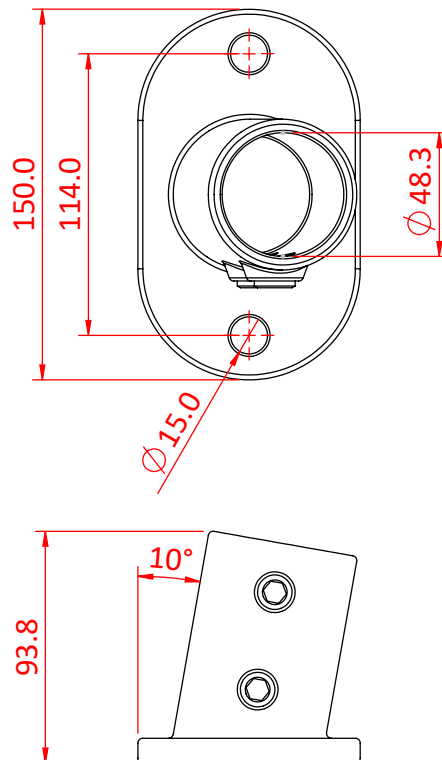
Product Data Sheet

Pipeclamp Angled Railing Base Flange 4-10 Degree



A galvanised steel Pipe Clamp fitting.	
Part Nos	T17622 - Galvanised
Tube Diameter	Ø48.3mm
Materials	Malleable Iron Fixings - Grade 8.8 BZP
Max Tightening	40Nm
WLL	N/A
Weight	1.30Kg

Dimensions in mm



DIMENSIONS ARE A GUIDE ONLY AND MAY VARY