



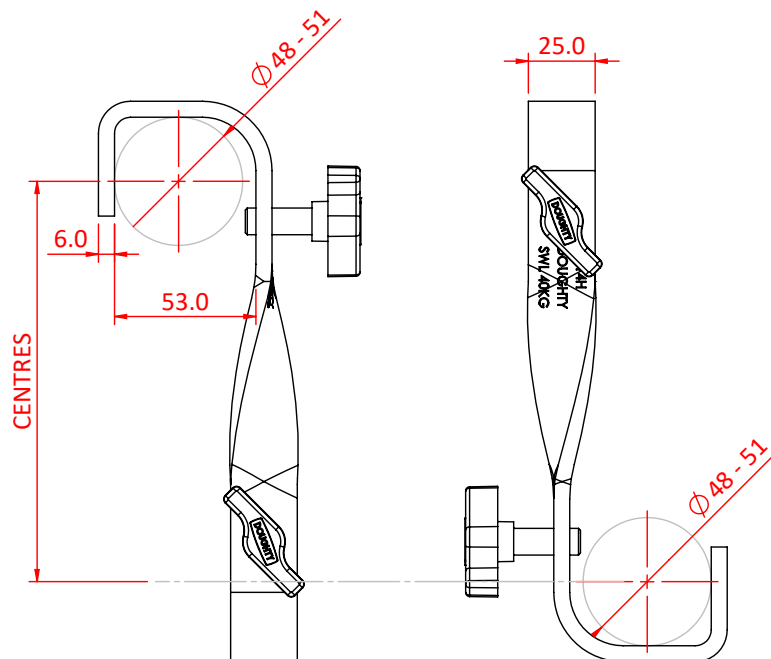
Double Ended Hook Clamp with 90° Twist

Product Data Sheet



A double ended Hook Clamp with 90° Twist	
Part Nos	T21500 - 150mm Ctrs - 0.50Kg T21600 - 225mm Ctrs - 0.58Kg T21700 - 300mm Ctrs - 0.67Kg T21705 - 450mm Ctrs - 0.89Kg T21710 - 600mm Ctrs - 1.09Kg
Tube Diameter	Ø48 - 51mm
Finish	Zinc Plated - Black available on request
Materials	Mild Steel Fixings - Grade 8.8 BZP
Max Tightening Torque	Hand tight
WLL	40Kg
Safety Factor	5:1

Dimensions in mm



CENTRES

- T21500 - 150mm
- T21600 - 225mm
- T21700 - 300mm
- T21705 - 450mm