



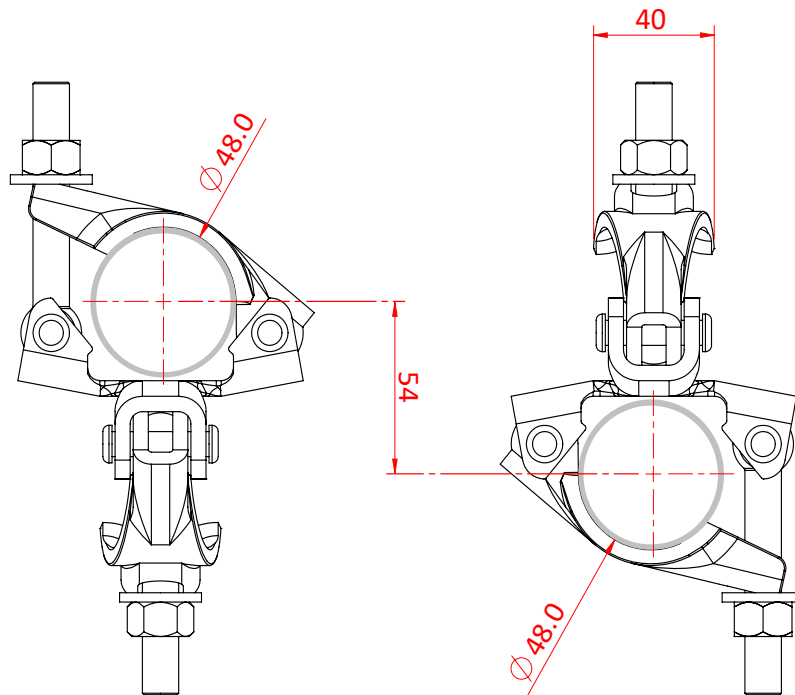
Scaffold Double Coupler

Product Data Sheet



A pressed steel double coupler	
Part Nos	T24900
Tube Diameter	Ø48mm (1.89")
Finish	Zinc Plated - Colour may vary
Max Tightening Torque	50Nm
Weight	0.85Kg (1.87 lbs)
WLL	This coupler is NOT Load Rated

Dimensions in mm



DIMENSIONS ARE A GUIDE ONLY AND MAY VARY

Doughty Engineering Ltd - Crow Arch Lane, Ringwood, Hampshire, BH24 1NZ, UK
+44 (0) 1425 478961, sales@doughty-engineering.co.uk - www.doughty-engineering.co.uk