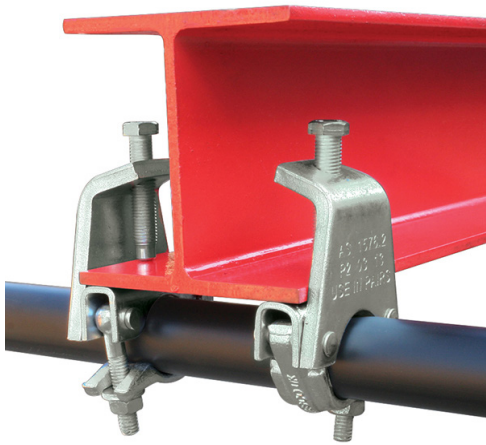


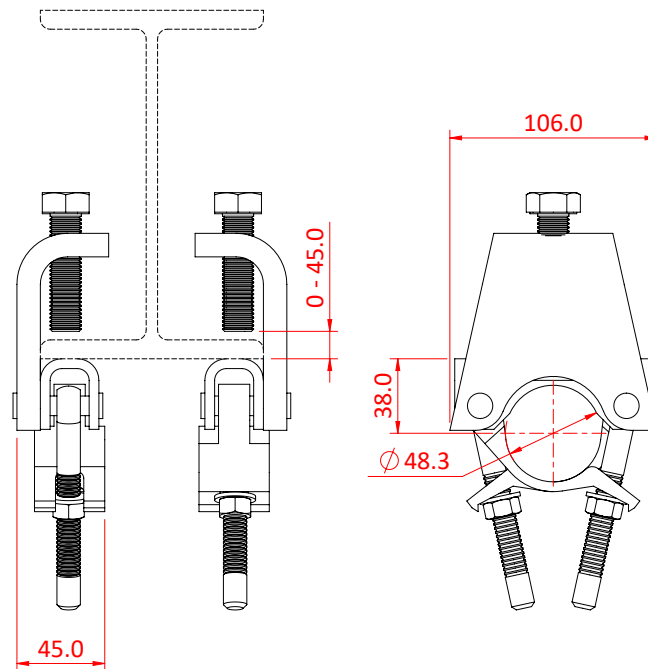


# Gravlock Couplers

## Product Data Sheet



A pair of steel gravlock couplers	
Part Nos	T29497
Fits Flanges	up to 45mm (1.77")
Material	S275 Mild Steel
Min Tightening Torque	54Nm
Finish	Zinc Plated
Weight	3.00Kg (6.60 lbs)
WLL	600Kg
<b>MUST BE USED IN PAIRS</b>	



Dimensions in mm

NOTE: MUST BE USED IN PAIRS

DIMENSIONS ARE A GUIDE ONLY AND MAY VARY