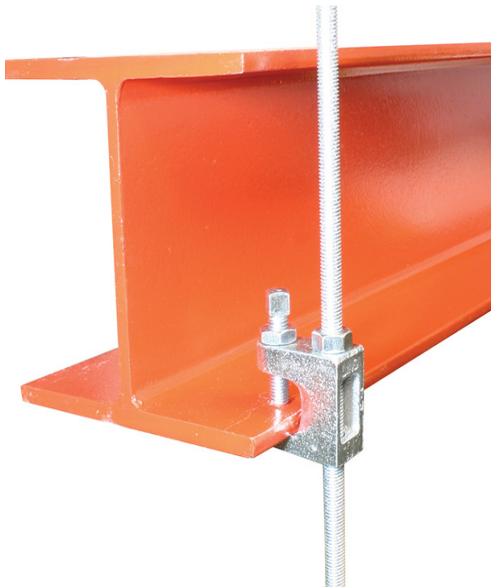




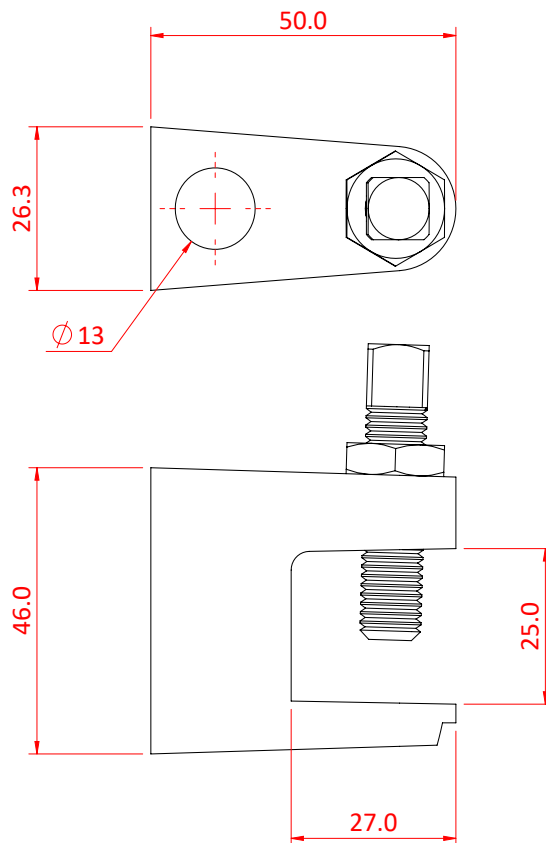
Lindapter Flange Clamp

Product Data Sheet



A forged steel Flange Clamp	
Part Nos	T29700
Fits Beams	up to 25mm
Finish	Zinc Plated
Weight	0.20Kg
WLL	300Kg
Factor of Safety	4:1

Dimensions in mm



DIMENSIONS ARE A GUIDE ONLY AND MAY VARY

Doughty Engineering Ltd - Crow Arch Lane, Ringwood, Hampshire, BH24 1NZ, UK
+44 (0) 1425 478961, sales@doughty-engineering.co.uk - www.doughty-engineering.co.uk