

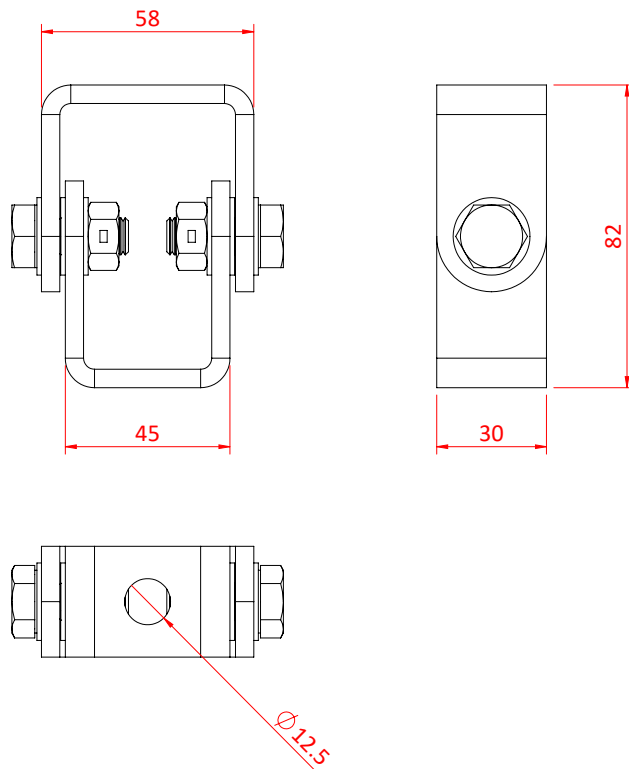


Universal Joint

Product Data Sheet



A steel universal joint	
Part Nos	T30410
Tube Diameter	N/A
Material	S275 Mild Steel Fixings Grade 8.8
Fixings	To be used with M12 Fixings
Finish	Zinc Plated
Weight	0.38Kg
WLL	100kg
Factor of Safety	5:1



Dimensions in mm