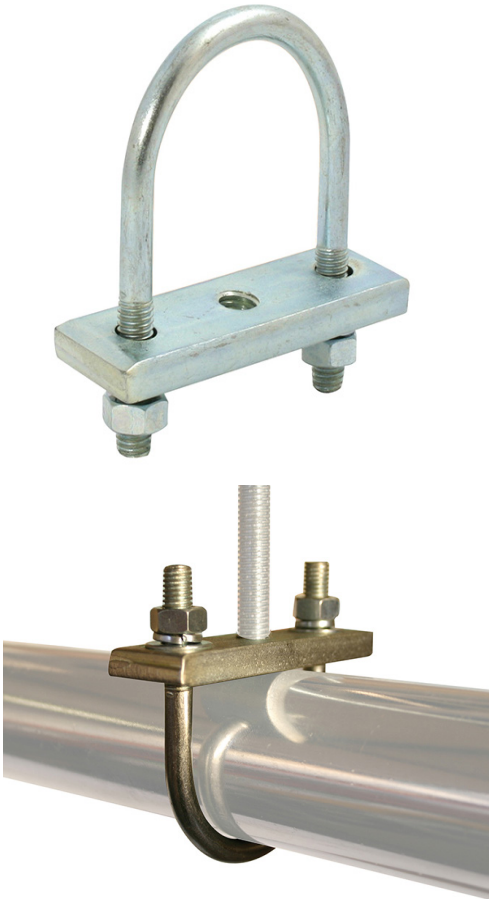




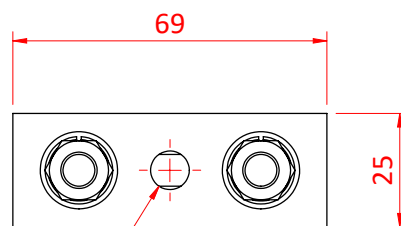
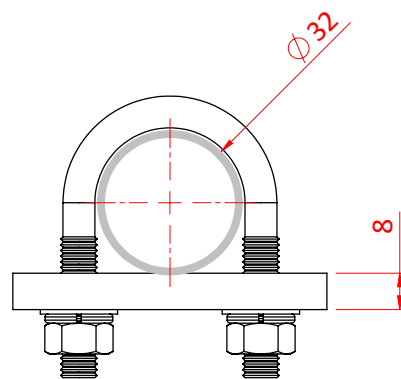
'U' Bolt with Threaded Plate

Product Data Sheet



A Steel 'U' bolt with threaded plate	
Part Nos	T32400 - M10 T32500 - M12
Tube Diameter	Ø32mm
Material	S275 Mild Steel Fasteners Grade 8.8
Finish	Zinc Plated
Weight	0.15Kg
WLL	140kg
Factor of Safety	5:1

Dimensions in mm



M10 OR M12