



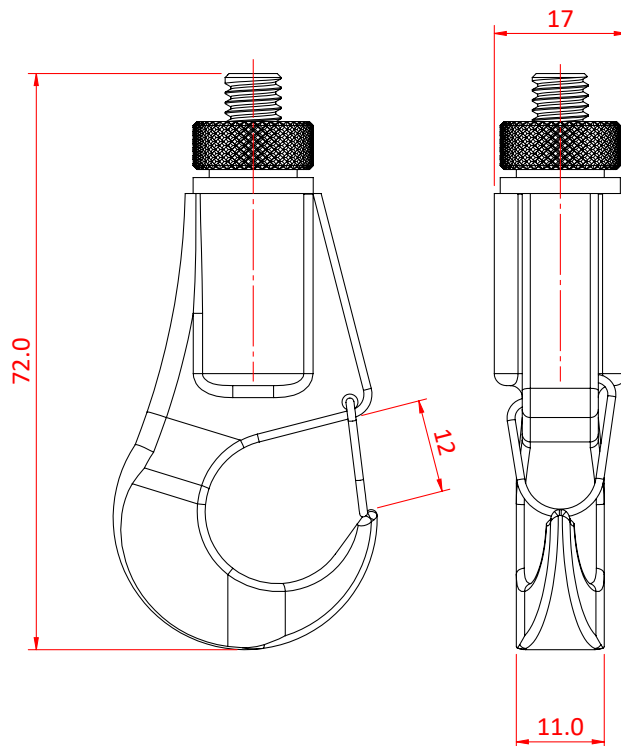
# 30SV with Hook

## Product Data Sheet



A Type 30 Cable Holder with Hook	
<b>Part Nos</b>	T37634
<b>Holder Diameter</b>	Ø17mm
<b>Wire Diameter</b>	Ø3mm
<b>Hook Width</b>	11mm
<b>Hook Gape</b>	12mm
<b>WLL</b>	84Kg - Ø3mm Stainless Steel Wire 102Kg - Ø3mm Zinc Plated Wire

Dimensions in mm



DIMENSIONS ARE A GUIDE ONLY AND MAY VARY