

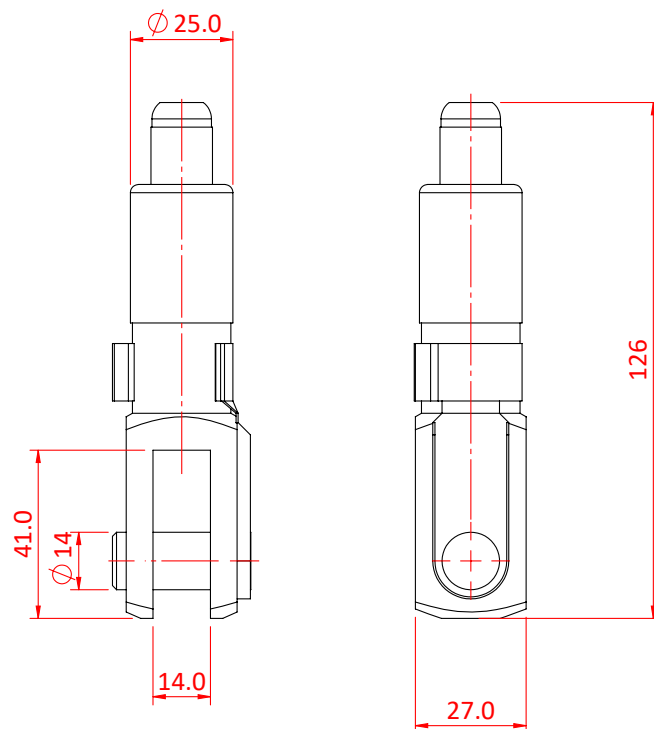


50SV III Cable Holder with Fork

Product Data Sheet



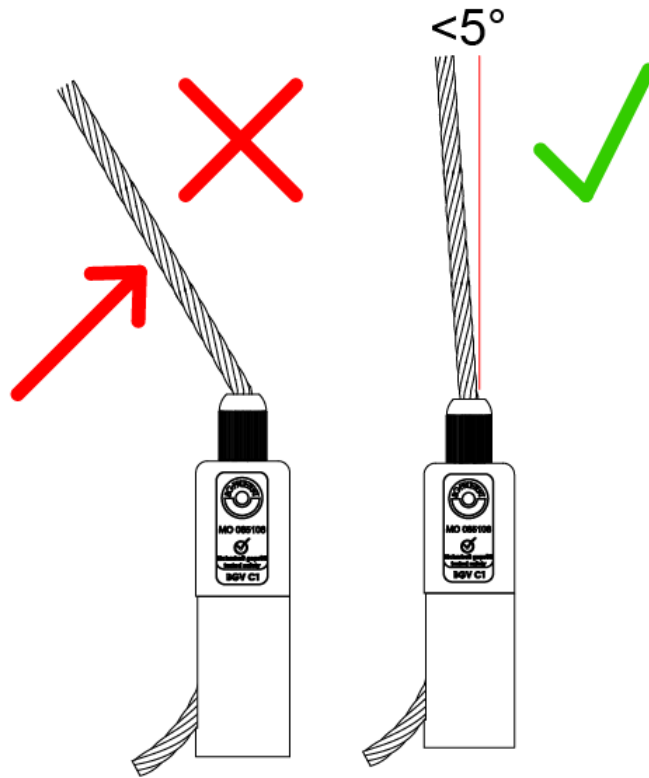
A Type 50 Cable Holder with Fork	
Part Nos	T37652
Holder Diameter	Ø25mm
Fork Pin Diameter	Ø14mm
Fork Width	14mm
Wire Diameter	Ø4mm & Ø5mm
WLL	4mm Wire - 60Kg 5mm Wire - 90Kg
Weight	0.35Kg



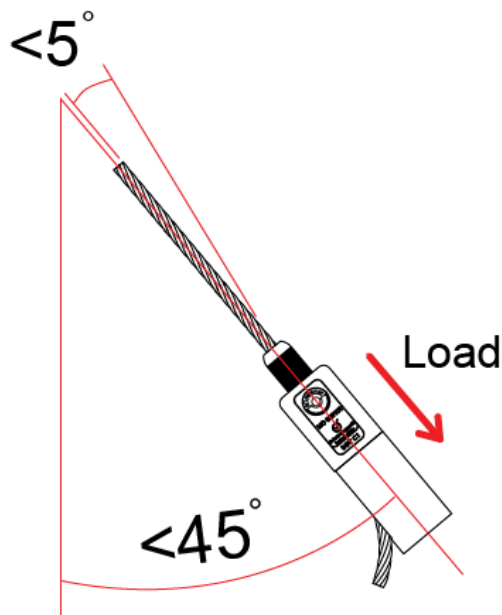
Dimensions in mm

DIMENSIONS ARE A GUIDE ONLY AND MAY VARY

Doughty Engineering Ltd - Crow Arch Lane, Ringwood, Hampshire, BH24 1NZ, UK
+44 (0) 1425 478961, sales@doughty-engineering.co.uk - www.doughty-engineering.co.uk



The wire rope must exit in line with the Cable Holder.
The maximum angle allowed is 5 degrees.



Reutlinger Cable Holders can be used
up to an angle of 45 degrees.

The wire rope must not exceed 5 degrees
when exiting the cable holder.