



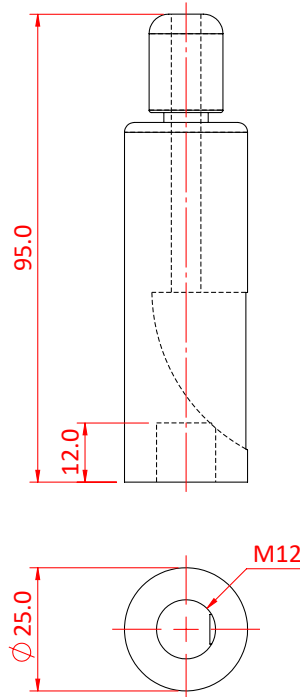
Product Data Sheet

# 50SV III Cable Holder with Female Thread



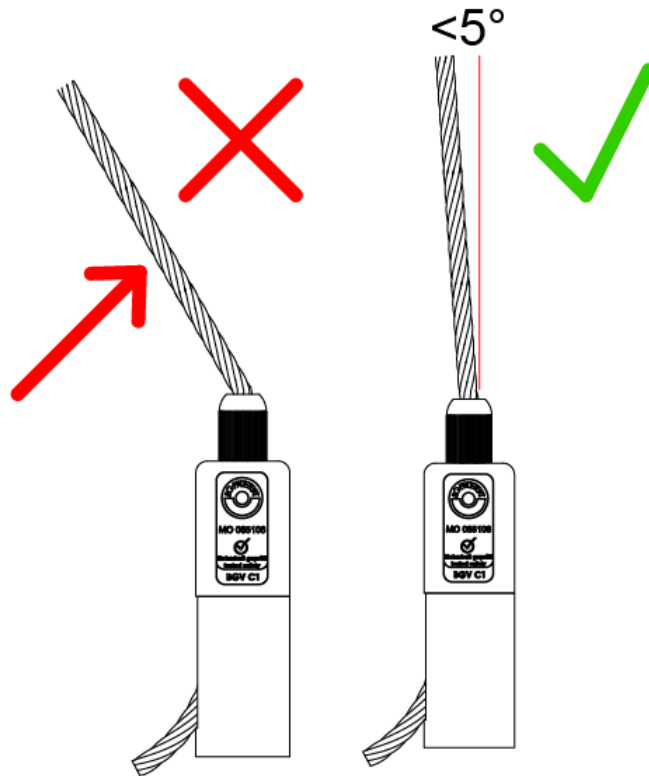
A Type 50 Cable Holder with an M12 Female Thread	
Part Nos	T37653
Holder Diameter	Ø25mm
Thread	M12
Thread Depth	12mm
Wire Diameter	Ø4mm & Ø5mm
WLL	4mm Wire - 60Kg 5mm Wire - 90Kg
Weight	0.24Kg

Dimensions in mm

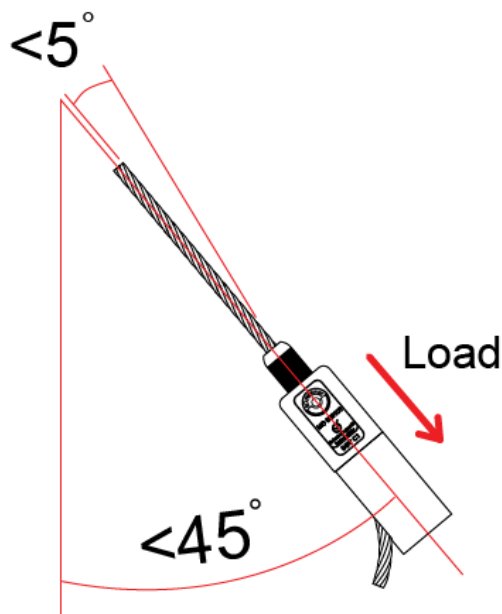


DIMENSIONS ARE A GUIDE ONLY AND MAY VARY

Doughty Engineering Ltd - Crow Arch Lane, Ringwood, Hampshire, BH24 1NZ, UK  
+44 (0) 1425 478961, sales@doughty-engineering.co.uk - www.doughty-engineering.co.uk



The wire rope must exit in line with the Cable Holder.  
The maximum angle allowed is 5 degrees.



Reutlinger Cable Holders can be used  
up to an angle of 45 degrees.

The wire rope must not exceed 5 degrees  
when exiting the cable holder.