



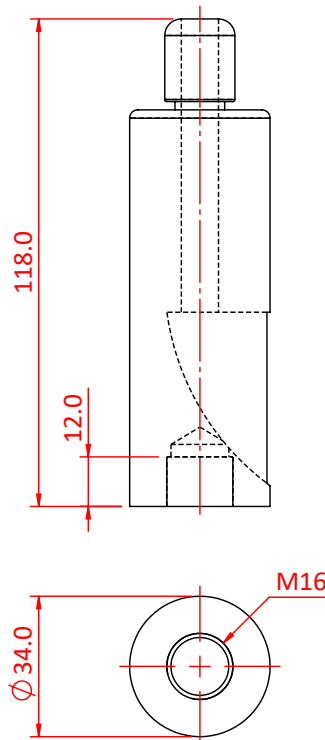
Product Data Sheet

# 66SV III Cable Holder with Female Thread

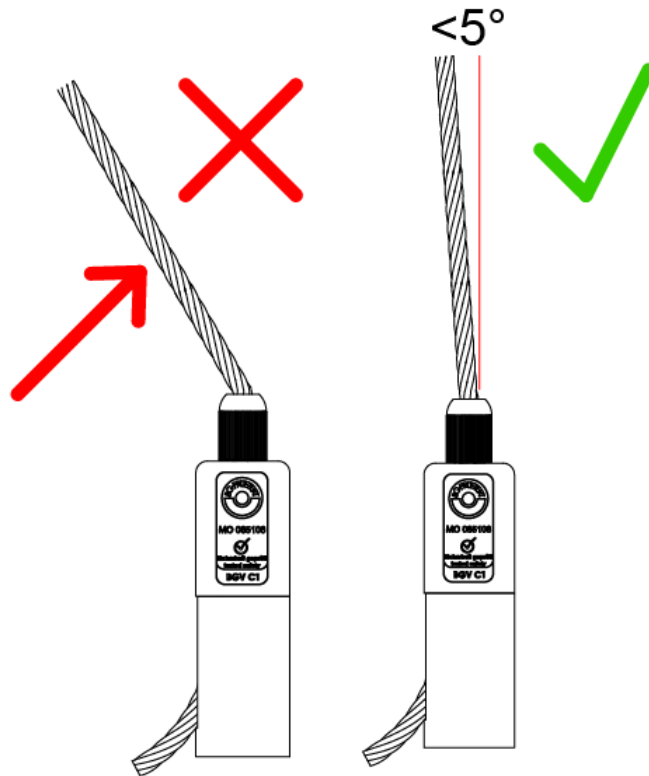


A Type 66 Cable Holder with an M16 Female Thread	
Part Nos	T37663
Holder Diameter	Ø34mm
Thread	M16
Thread Depth	12mm
WLL	6mm Wire - 135Kg 1/4" (6.35mm) Wire - 150Kg
Weight	0.24Kg

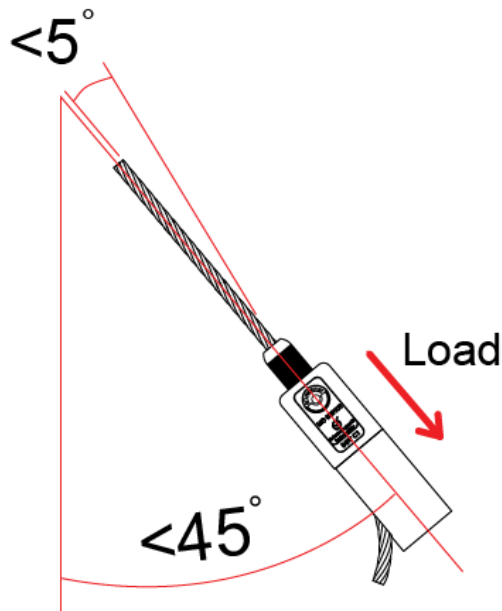
Dimensions in mm



DIMENSIONS ARE A GUIDE ONLY AND MAY VARY



The wire rope must exit in line with the Cable Holder.  
The maximum angle allowed is 5 degrees.



Reutlinger Cable Holders can be used  
up to an angle of 45 degrees.

The wire rope must not exceed 5 degrees  
when exiting the cable holder.