



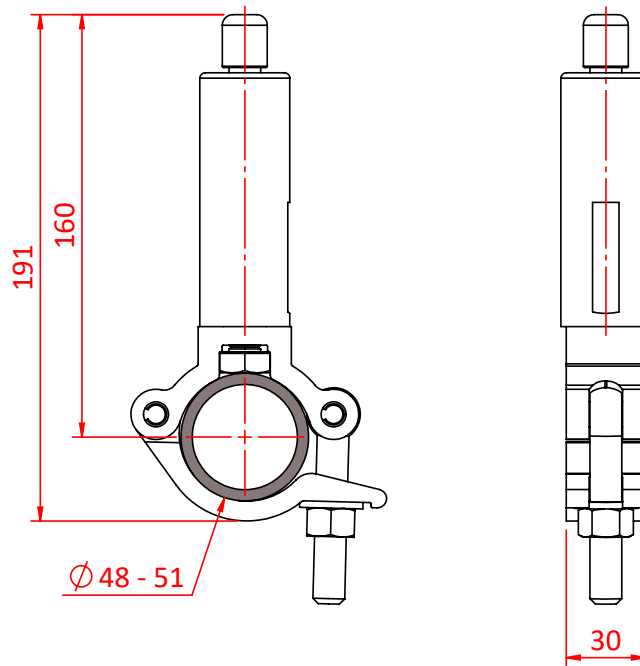
Product Data Sheet

# 66SV III ZW with Clamp

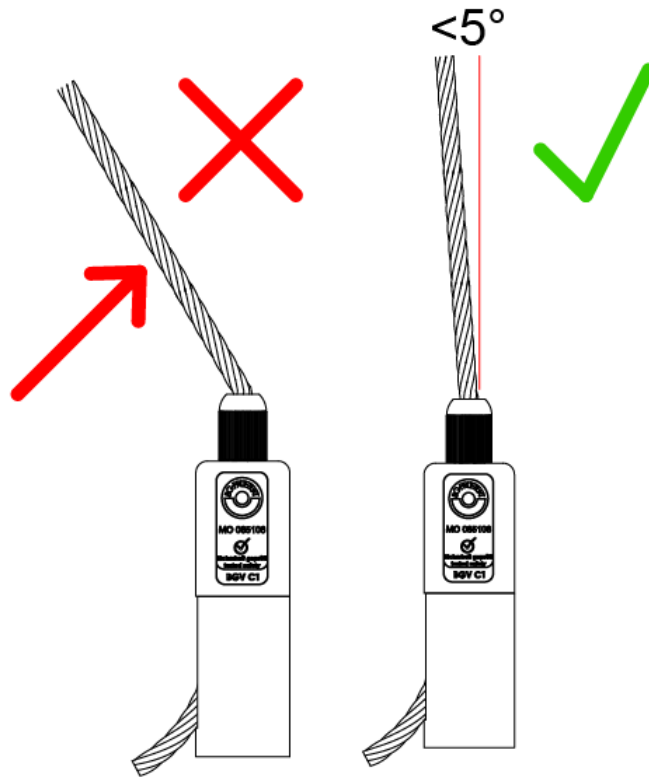


A Type 66 Cable Holder with a Clamp	
<b>Part Nos</b>	T37664
<b>Clamp Fitted</b>	T58081 Half Coupler
<b>Tube Diameter</b>	Ø48-51mm
<b>Wire Diameter</b>	Ø6mm & Ø1/4" (6.35mm)
<b>WLL</b>	6mm Wire - 135Kg 1/4" (6.35mm) Wire - 150Kg
<b>Weight</b>	0.50Kg

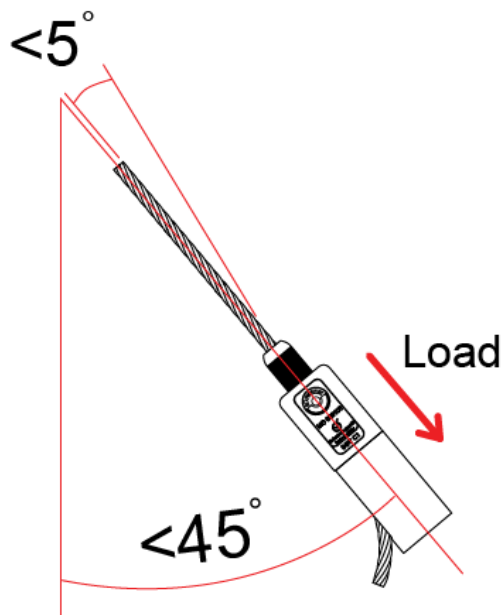
Dimensions in mm



DIMENSIONS ARE A GUIDE ONLY AND MAY VARY



The wire rope must exit in line with the Cable Holder.  
The maximum angle allowed is 5 degrees.



Reutlinger Cable Holders can be used  
up to an angle of 45 degrees.

The wire rope must not exceed 5 degrees  
when exiting the cable holder.