



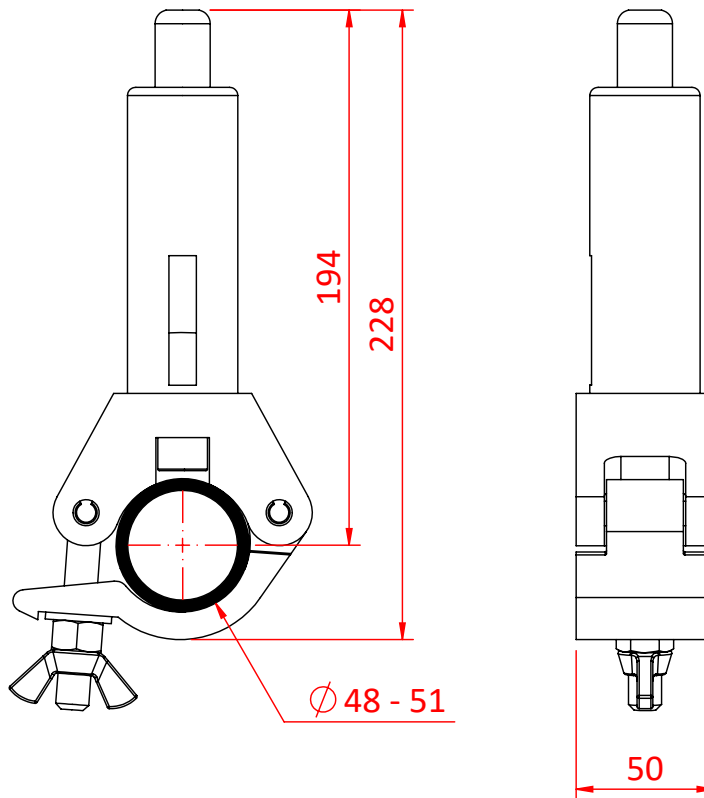
80SV II ZW with Clamp

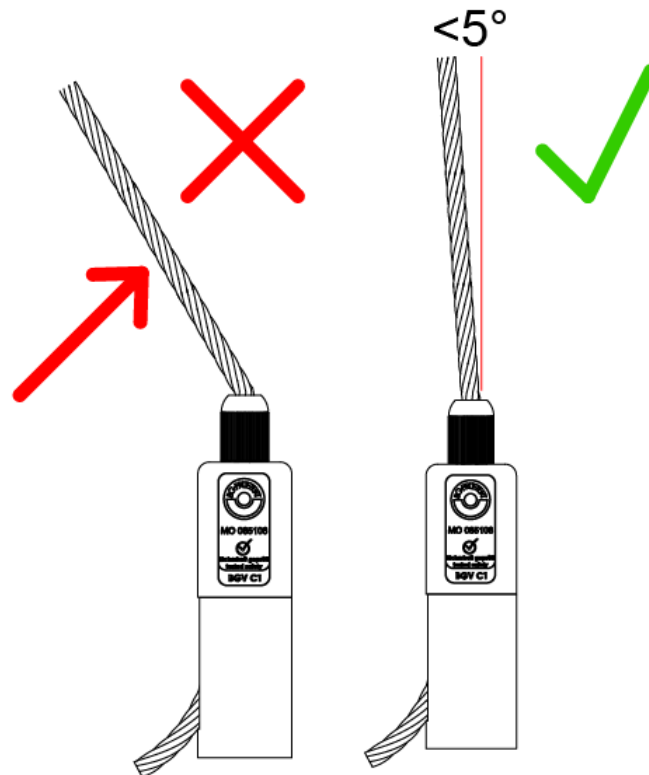
Product Data Sheet



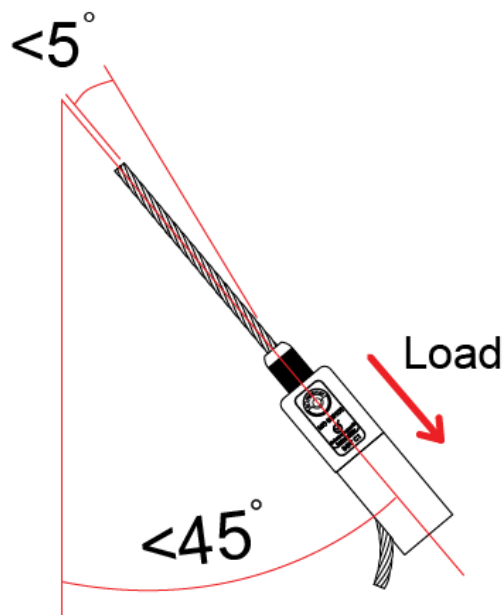
A Type 80 Cable Holder with a clamp	
Part Nos	T37684
Clamp	T57010 Half Coupler
Tubes Diameter	Ø48 -51mm
Wire Diameter	Ø6 & 8mm
WLL	6mm Wire - 135Kg 8mm Wire - 240Kg
Weight	1.62Kg

Dimensions in mm





The wire rope must exit in line with the Cable Holder.
The maximum angle allowed is 5 degrees.



Reutlinger Cable Holders can be used
up to an angle of 45 degrees.

The wire rope must not exceed 5 degrees
when exiting the cable holder.