



Product Data Sheet

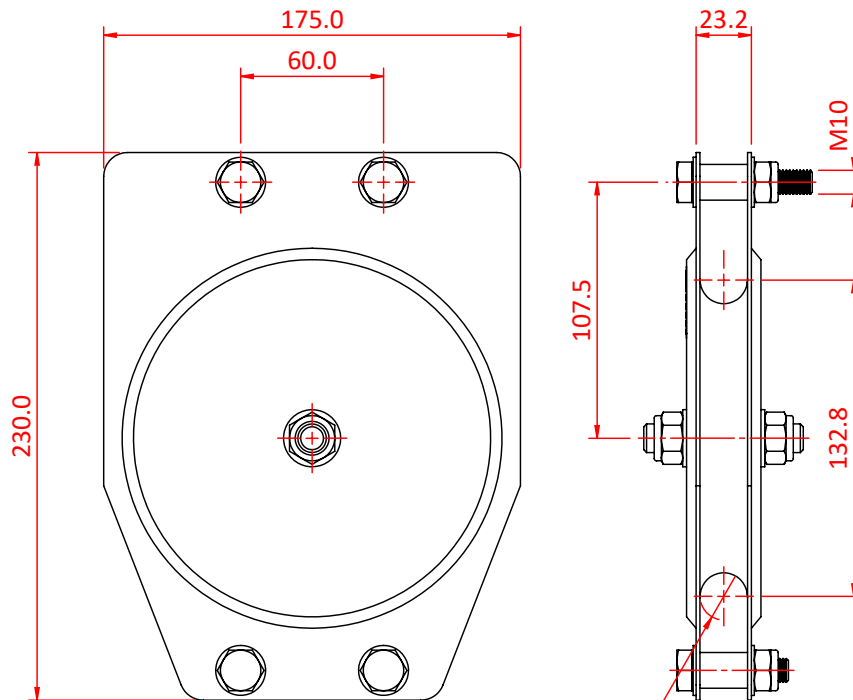
# 150mm Standard Pulleys - Rope



A Ø150mm single sheave pulley suitable for 18mm rope	
<b>Part Nos</b>	T42846 - 18mm Rope - Single
<b>Materials</b>	Plates - CR4 Mild Steel Fixings - Grade 8.8 Sheaves - Nylon 6
<b>Finish</b>	Powder painted black
<b>WLL</b>	150Kg
<b>Safety factor</b>	5:1

Dimensions in mm

T42846



FOR Ø 18 ROPE