



# Girder Channels

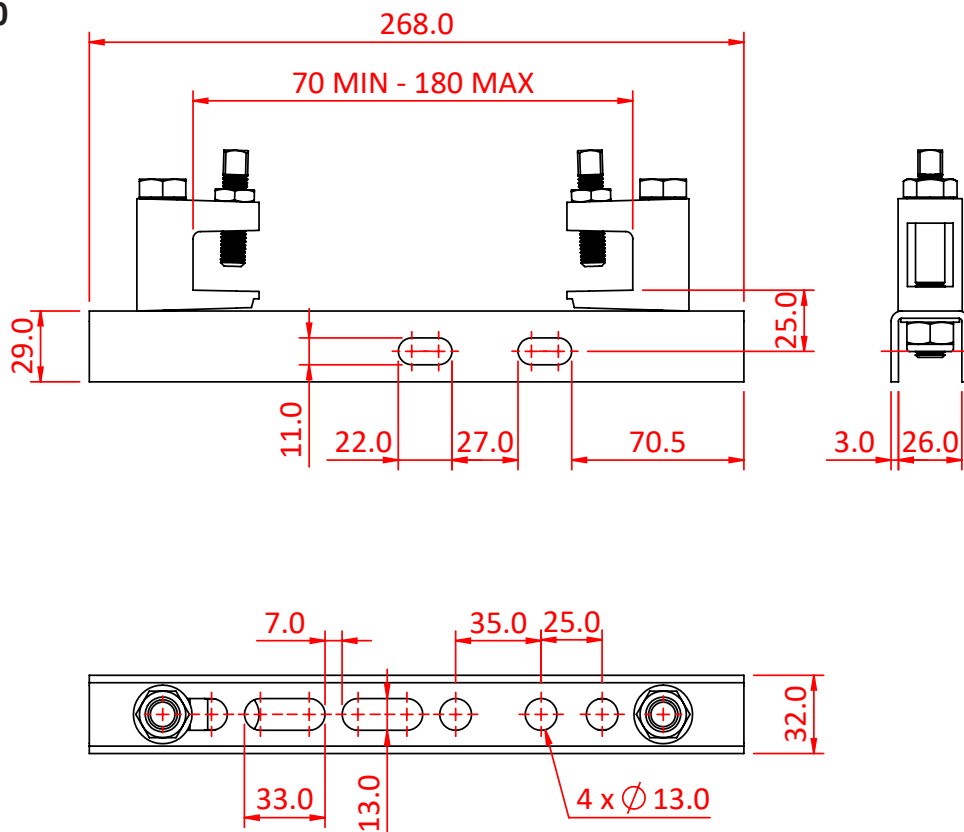
## Product Data Sheet



A girder channel with flange clamps	
<b>Part Nos</b>	T42870 - 75mm to 150mm T42872 - 150mm to 300mm
<b>Material</b>	S275 Mild Steel
<b>Finish</b>	Powder Painted
<b>WLL</b>	150Kg
<b>Safety Factor</b>	5:1

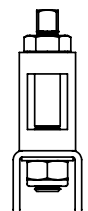
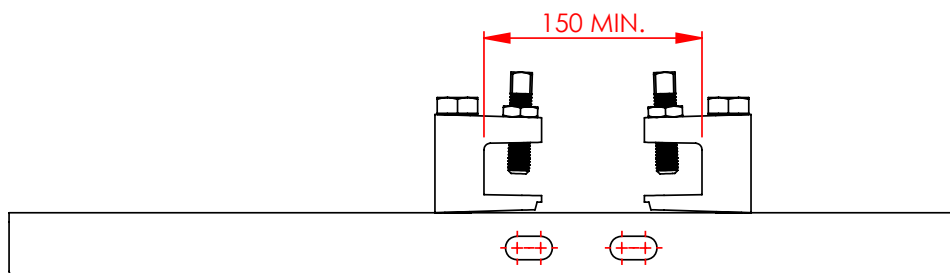
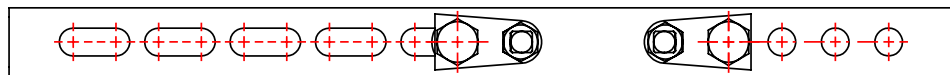
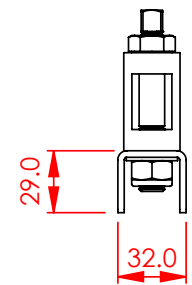
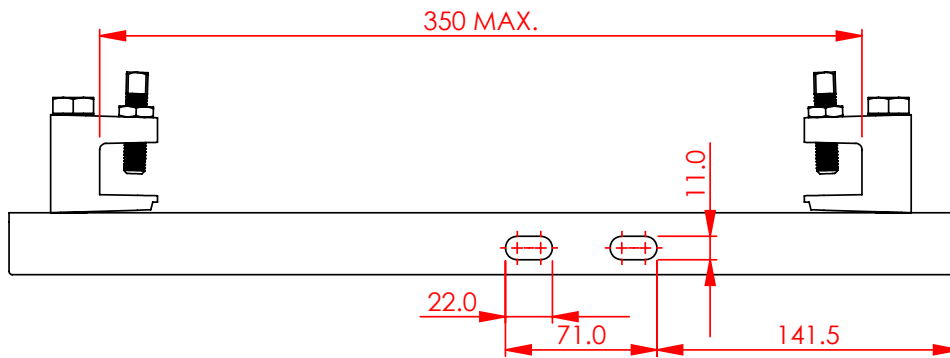
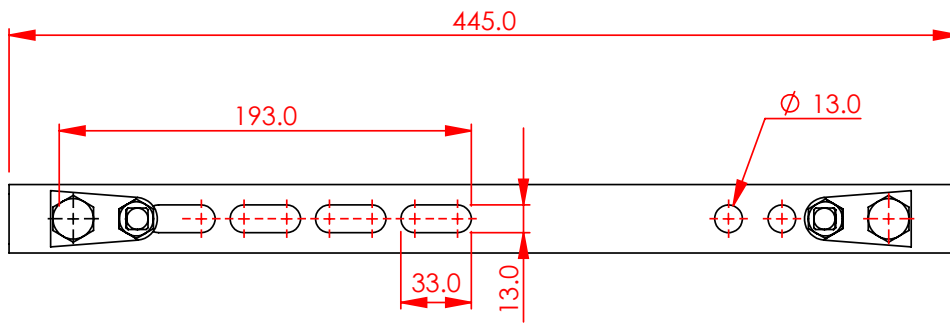
Dimensions in mm

T42870



Note: Two channels are required for triple, quad and quin pulleys

**T42872**



Note: Two channels are required for triple, quad and quin pulleys