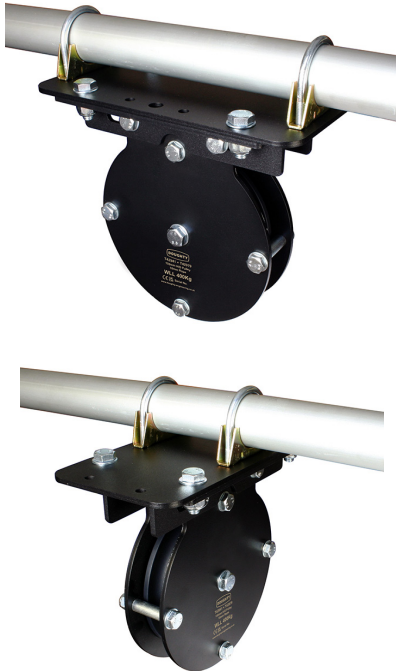




# Heavy Duty Universal Plates

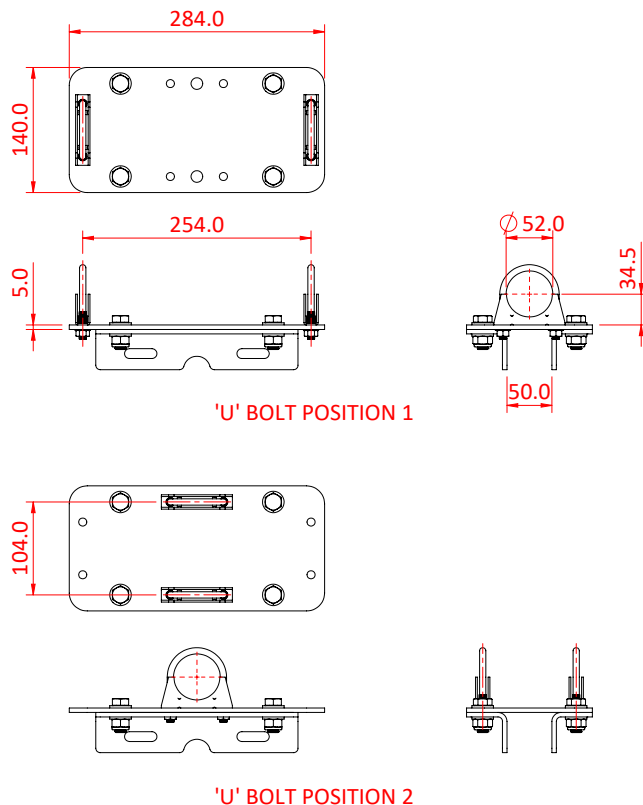
## Product Data Sheet



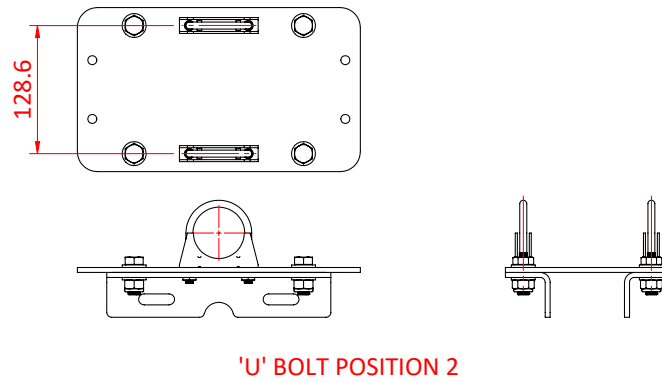
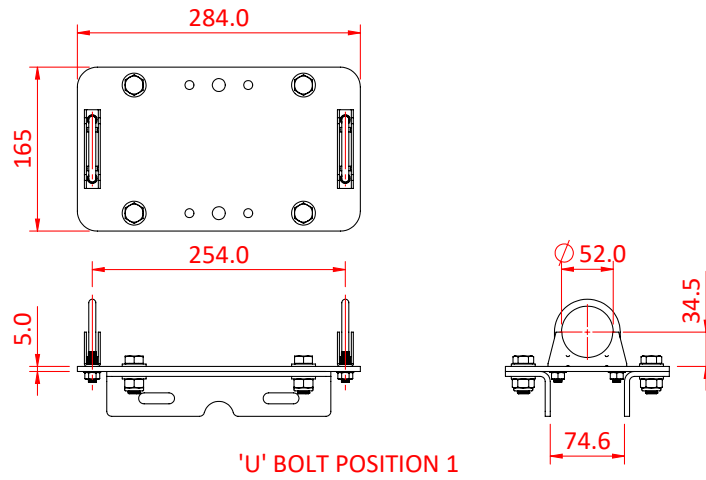
A universal plate assembly to suit heavy duty pulleys	
<b>Part Nos</b>	T42979 - fits single pulley T42980 - fits double pulley T42981 - fits triple pulley T42982 - fits quad pulley T42983 - fits quin pulley
<b>Finish</b>	Black powder paint
<b>Materials</b>	S275 Mild steel Grade 8.8 Fixings
<b>WLL</b>	200Kg for Ø100mm pulleys 400Kg for Ø150mm pulleys 600Kg for Ø200mm pulleys
<b>Safety Factor</b>	5:1

**T42979**

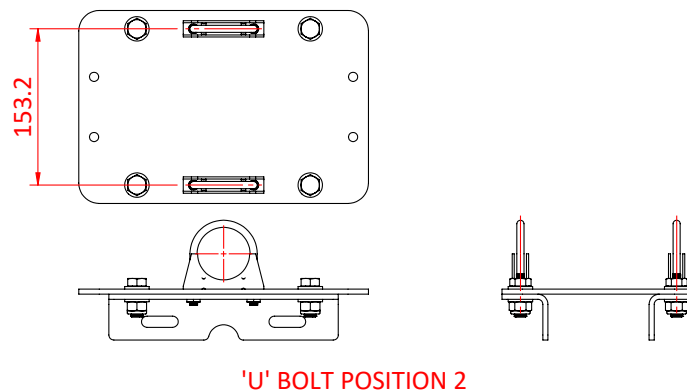
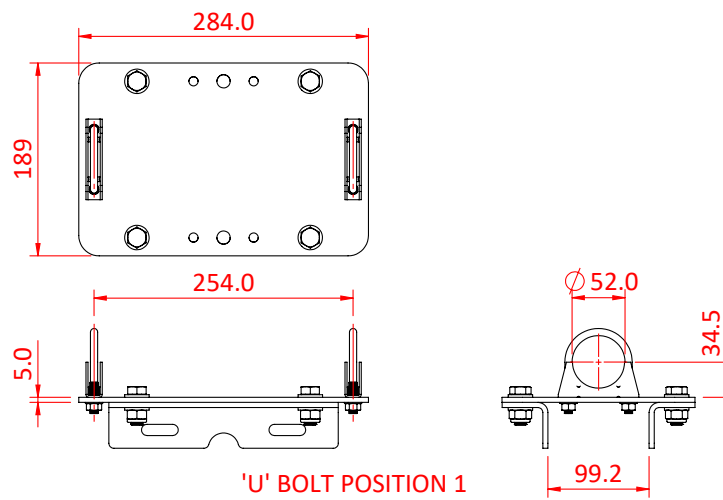
Dimensions in mm



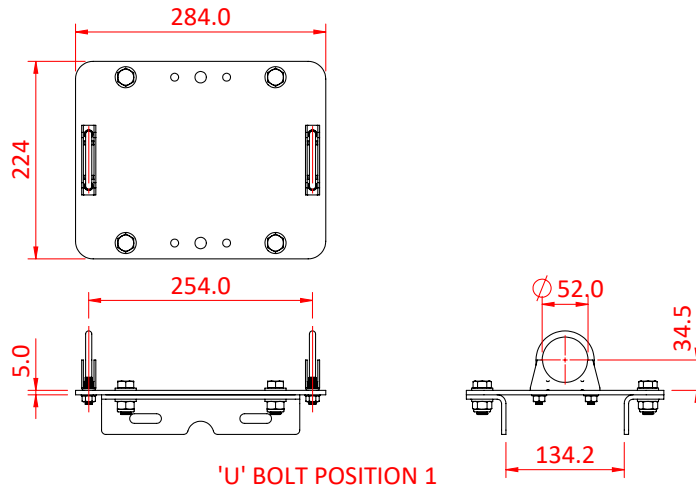
**T42980**



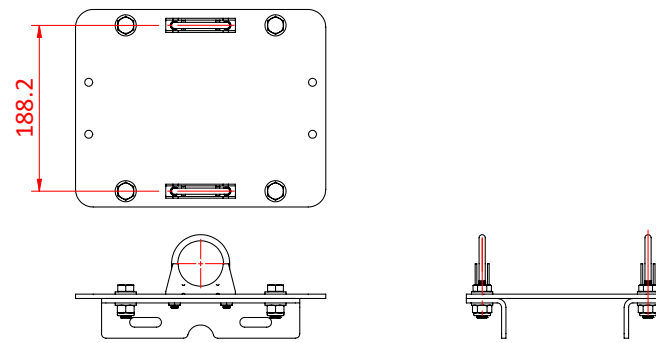
**T42981**



**T42982**

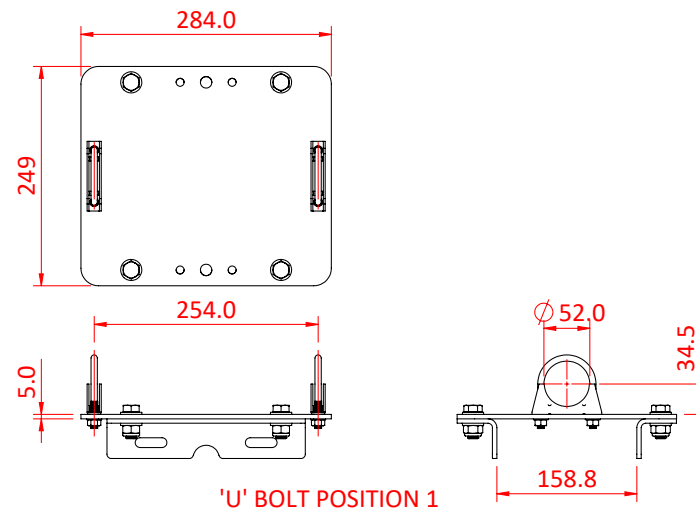


'U' BOLT POSITION 1

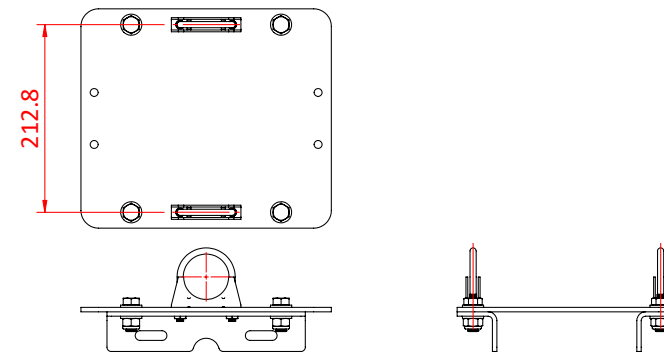


'U' BOLT POSITION 2

**T42983**



'U' BOLT POSITION 1



'U' BOLT POSITION 2