

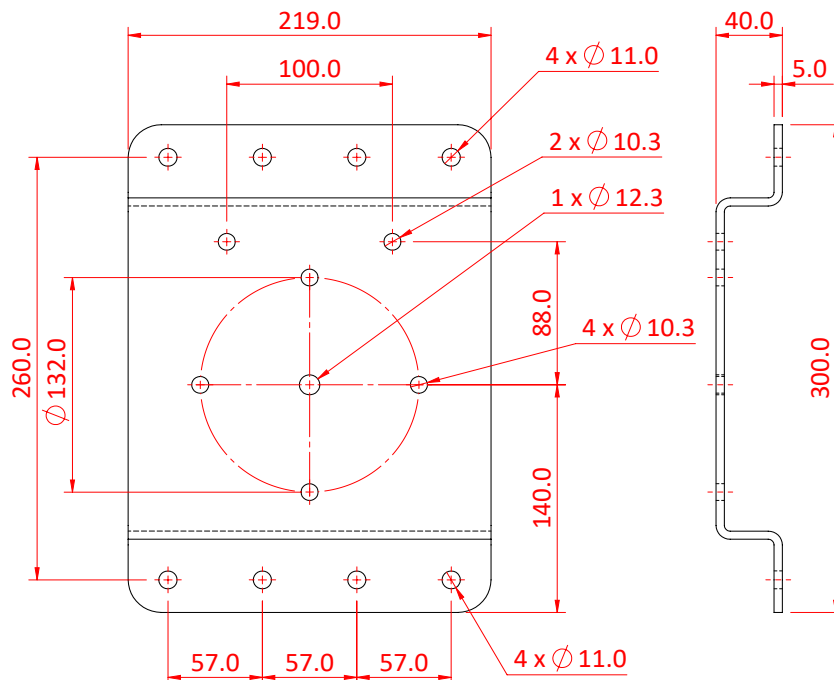


Product Data Sheet

Heavy Duty Pulley - Wall Mounting Plates



A Wall Plate used to convert an existing Pulley to a Wall Mounted Pulley	
Part Nos	T42997
Finish	Black Powder Paint
Fits Pulleys	All 100mm Heavy Duty Pulleys
Materials	Mild Steel
WLL	200Kg
Safety Factor	5:1



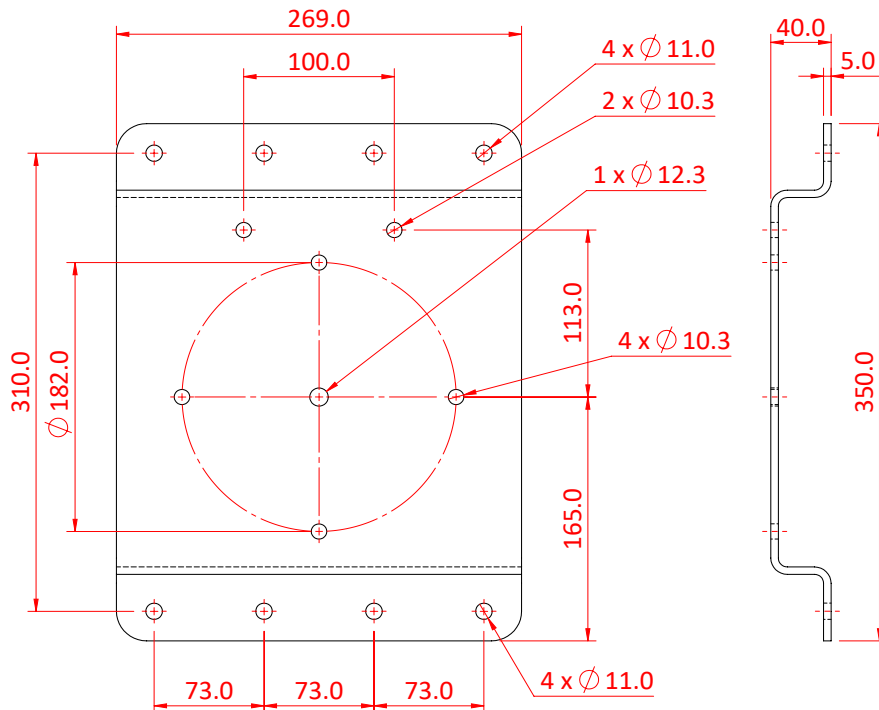


Heavy Duty Pulley - Wall Mounting Plates

Product Data Sheet



A Wall Plate used to convert an existing Pulley to a Wall Mounted Pulley	
Part Nos	T42998
Finish	Black Powder Paint
Fits Pulleys	All 150mm Heavy Duty Pulleys
Materials	Mild Steel
WLL	400Kg
Safety Factor	5:1





Product Data Sheet

Heavy Duty Pulley - Wall Mounting Plates



A Wall Plate used to convert an existing Pulley to a Wall Mounted Pulley	
Part Nos	T42999
Finish	Black Powder Paint
Fits Pulleys	All 200mm Heavy Duty Pulleys
Materials	Mild Steel
WLL	600Kg
Safety Factor	5:1

