



Extension Poles

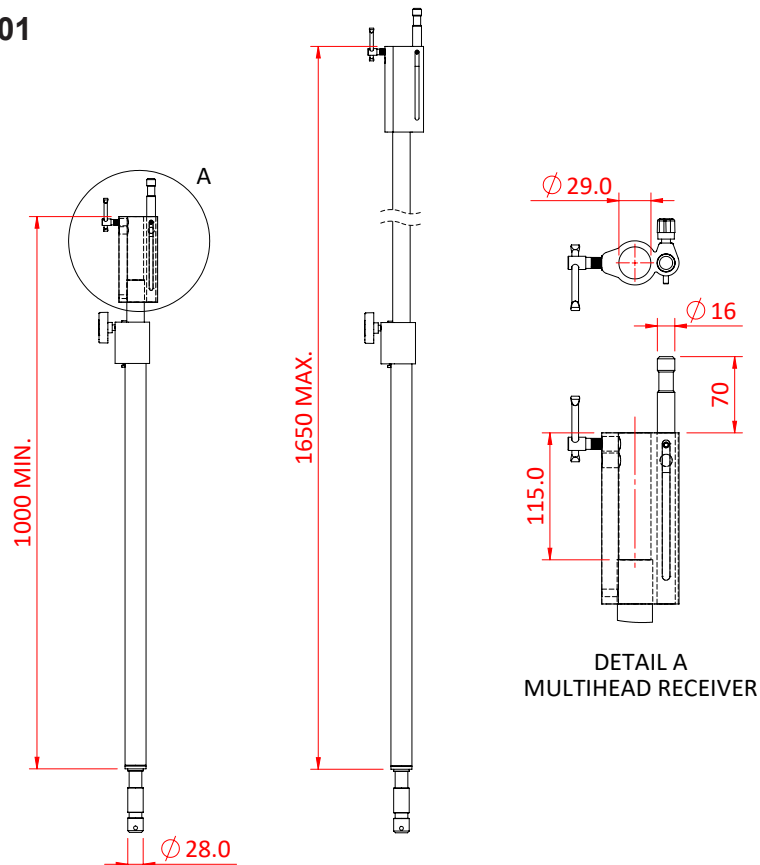
Product Data Sheet



| | |
|--|--|
| A range of extension poles fitted with a Multihead receiver comprised of a 29mm receiver and a pop up 16mm spigot. | |
| Part Nos | T44640 - 1000-1650mm - 4.01Kg T446401 - 1000-1650mm - 4.01Kg T44645 - 1080-2500mm - 5.20Kg T44650 - 1080-2500mm - 5.20Kg |
| Materials | Mild Steel - Tube & bottom Ø28mm Spigot Stainless Steel - Multihead Ø16mm Spigot AW6082 T6 Aluminium - Multihead Receiver Fixings - Grade 8.8 |
| Finish | T44640 & T44645 - Silver T446401 & T44650 - Powder painted black |
| Factor of Safety | 5:1 |

T44640 & T446401

Dimensions in mm



T44645 & T44650

