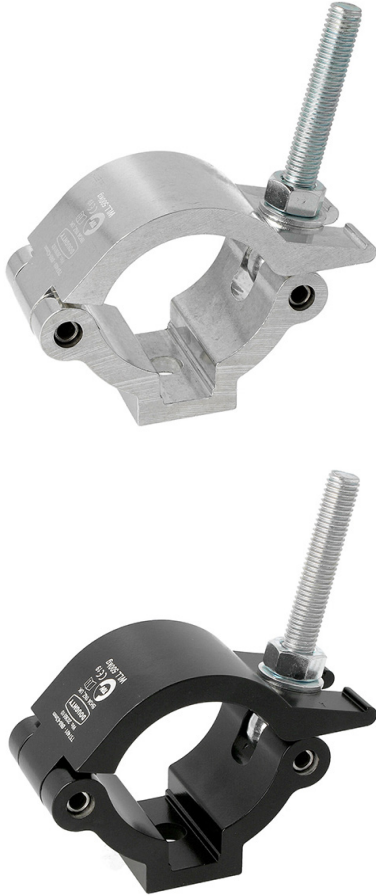




Product Data Sheet

# Mammoth Half Coupler



A high tensile extruded half coupler Slotted to hold captive an M10 or M12 Nut or Bolt	
<b>Part Nos</b>	T57400 - Polished T57401 - Powder Painted Satin Black
<b>Tube Diameter</b>	Ø60 - 63mm (2.36" - 2.48")
<b>Materials</b>	Main Body - AW6082 T6 Aluminium Roll Pins - Stainless Steel Eyebolt Assy - Grade 8.8
<b>Max Tightening Torque</b>	30Nm
<b>Fixings</b>	To be used with M10 or M12 Fixings
<b>WLL</b>	500Kg
<b>Weight</b>	0.43Kg (0.95 lbs)
<b>Factor of Safety</b>	5:1
<b>Approval</b>	TÜV Approved

Dimensions in mm

