

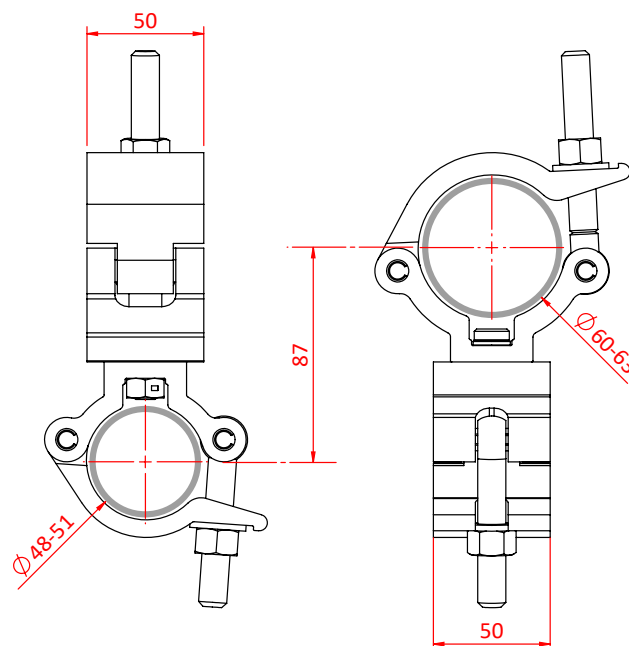


Product Data Sheet

Mammoth 50 to 60mm 90° fixed Coupler



| | |
|---|---|
| A Mammoth coupler and Lightweight coupler 90° combination which provides a firm fixing between two bars | |
| Part Nos | T57435 - Polished T57436 - Powder Painted Satin Black |
| Tube Diameter | Ø48 - 51mm (1.89" - 2.01") & Ø60 - 63mm (2.36" - 2.48") |
| Materials | Main Body - AW6082 T6 Aluminium Roll Pins - Stainless Steel Eyebolt - Grade 8.8 |
| Max Tightening Torque | 30Nm |
| Fixings | N/A |
| WLL | 500Kg |
| Weight | 0.90Kg (1.98 lbs) |
| Factor of Safety | 5:1 |
| Approval | TÜV Approved |



Dimensions in mm