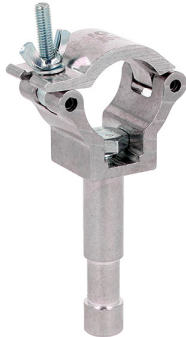


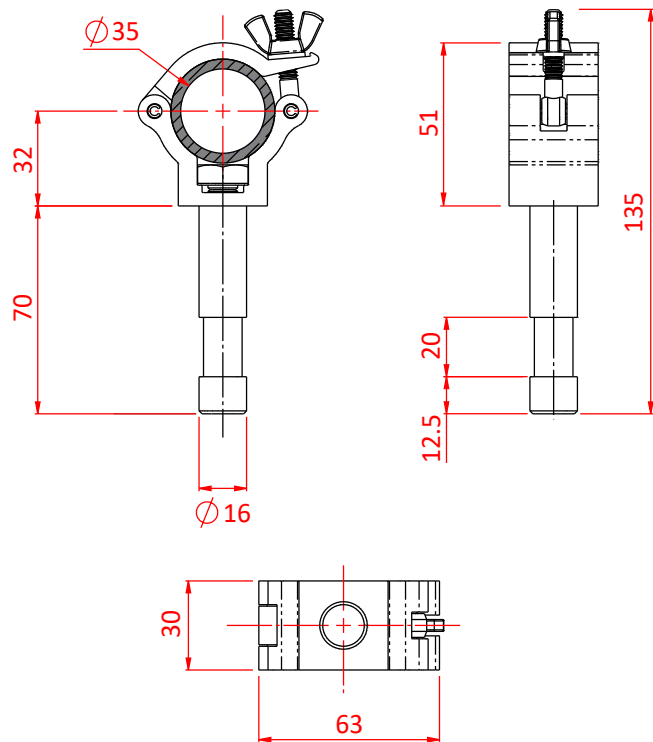


Product Data Sheet

35mm Atom Beamer Clamp



An aluminium clamp with a Ø16mm Beamer spigot	
Part Nos	T58924 - Polished T5892401 - Powder Painted Satin Black
Tube Diameter	Ø35mm
Materials	Main Body - AW6082 T6 Aluminium Roll Pins - Stainless Steel Eyebolt Assy - Grade 8.8
Max Tightening Torque	Hand tighten only
WLL	100Kg Vertical Load
Weight	0.20Kg
Factor of Safety	5:1
Approval	TÜV Approved



Dimensions in mm