

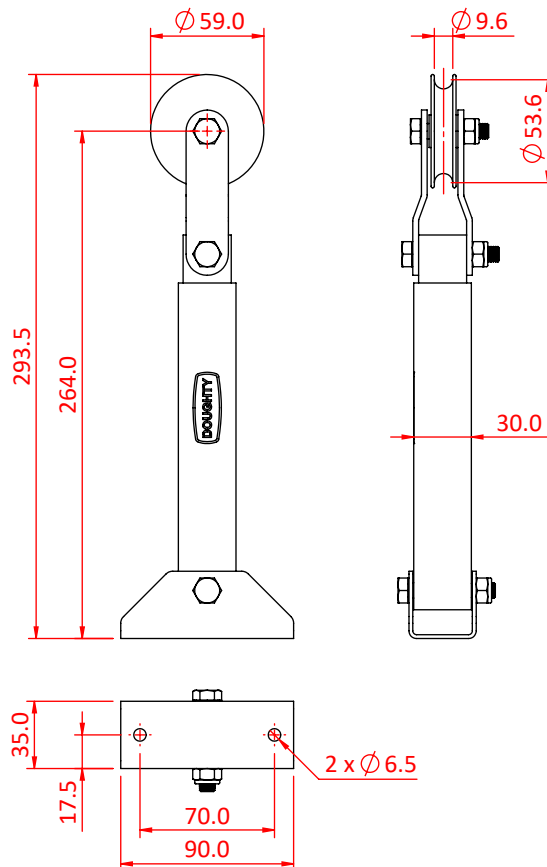


Sprung Floor Pulley

Product Data Sheet



A mild steel sprung floor pulley with a nylon sheave	
Part Nos	T63830
Materials	Mild Steel Nylon Fixings Grade 8.8
Finish	Silver
Weight	0.80Kg
WLL	Not rated



Dimensions in mm