



Easydeck Step Modules

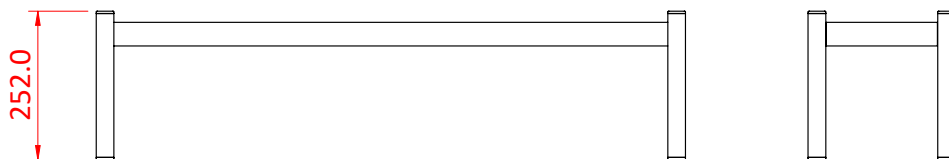
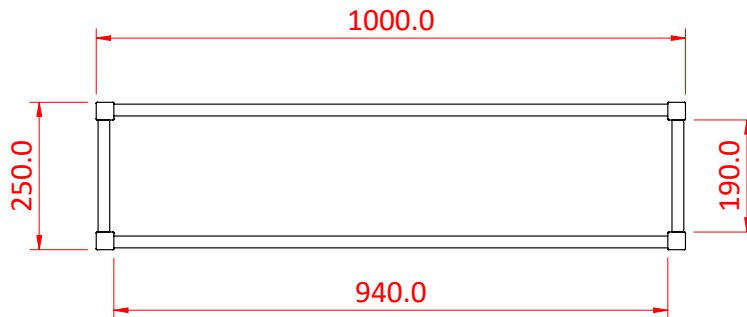
Product Data Sheet



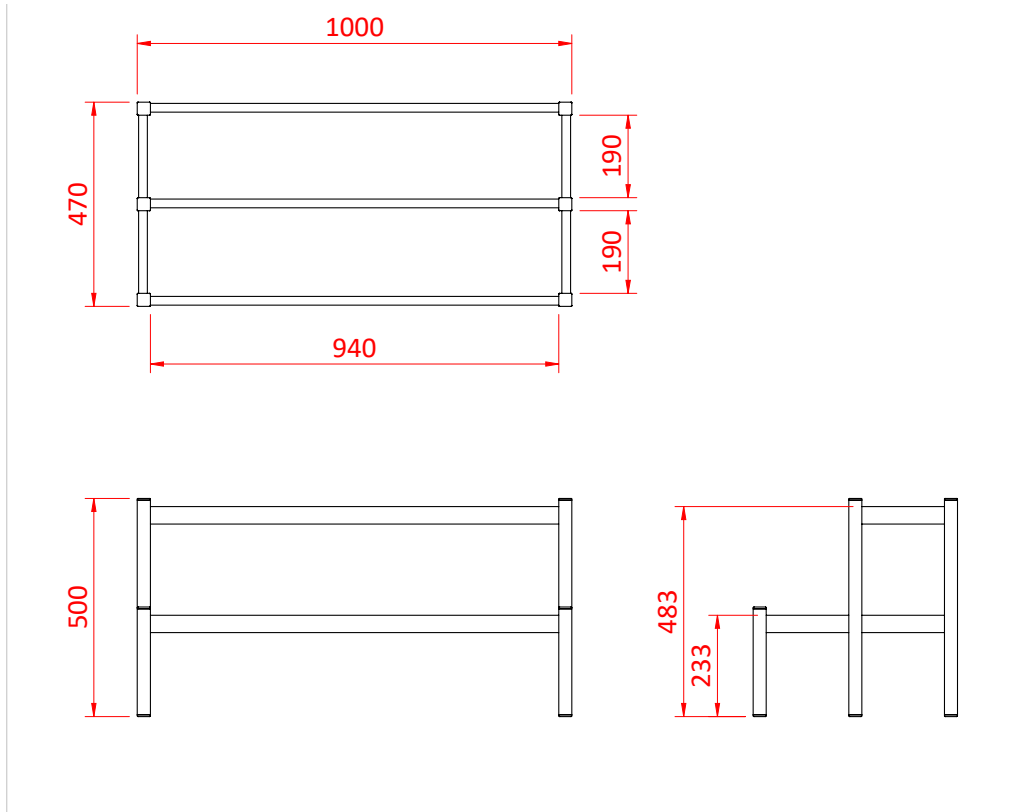
A range of mild steel box section step frames, available in three standard heights.	
Part Nos	T76505 - Single Step - 1000 x 250 x 250mm T76506 - Double Step - 1000 x 470 x 500mm T76507 - Triple Step - 1000 x 690 x 750mm
Materials	Mild Steel
Finish	Powder coated black
Weight	T76505 - 4.28Kg T76506 - 8.70Kg T76507 - 11.0Kg
WLL	500Kg/m ²

Dimensions in mm

T76505



T76506



T76507

