



Easydeck Handrails

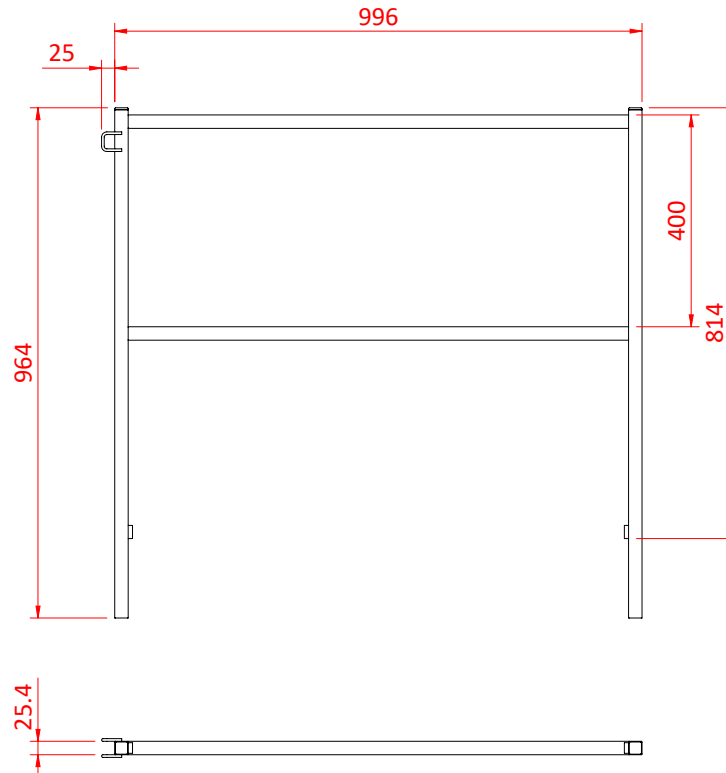
Product Data Sheet



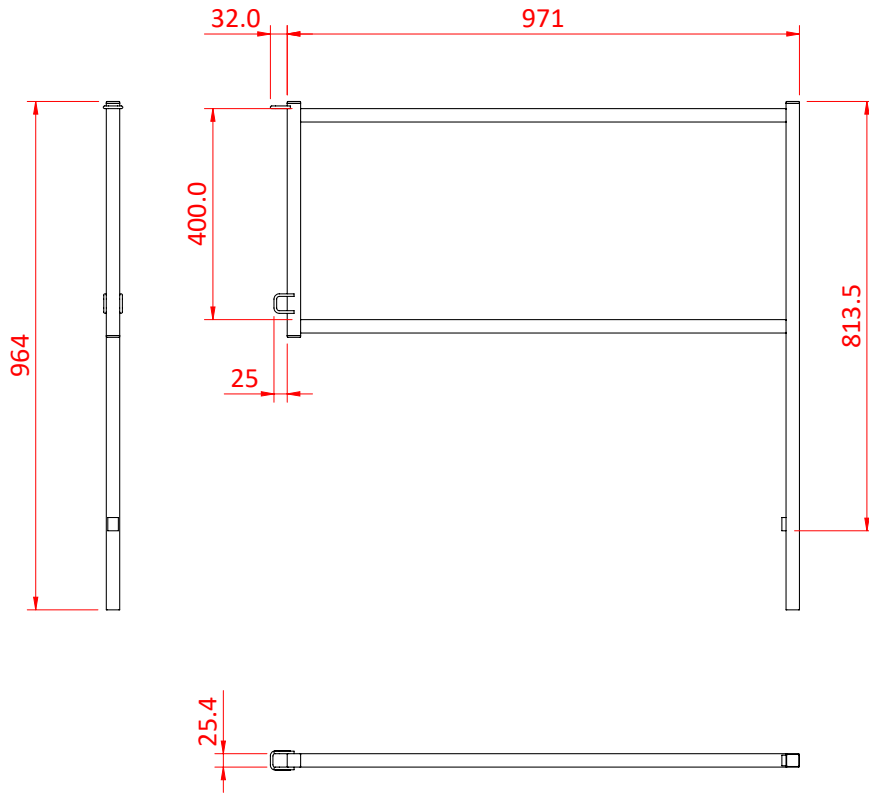
A range of mild steel box section handrails	
Part Nos	T76900 - Standard section - 4.02Kg T77000 - Corner section - 3.26Kg T77100 - Ramp section - 4.02Kg T77110 - Primary Ramp Section - 4.00Kg
Materials	Mild Steel
Finish	Powder coated black
WLL	Not Rated

Dimensions in mm

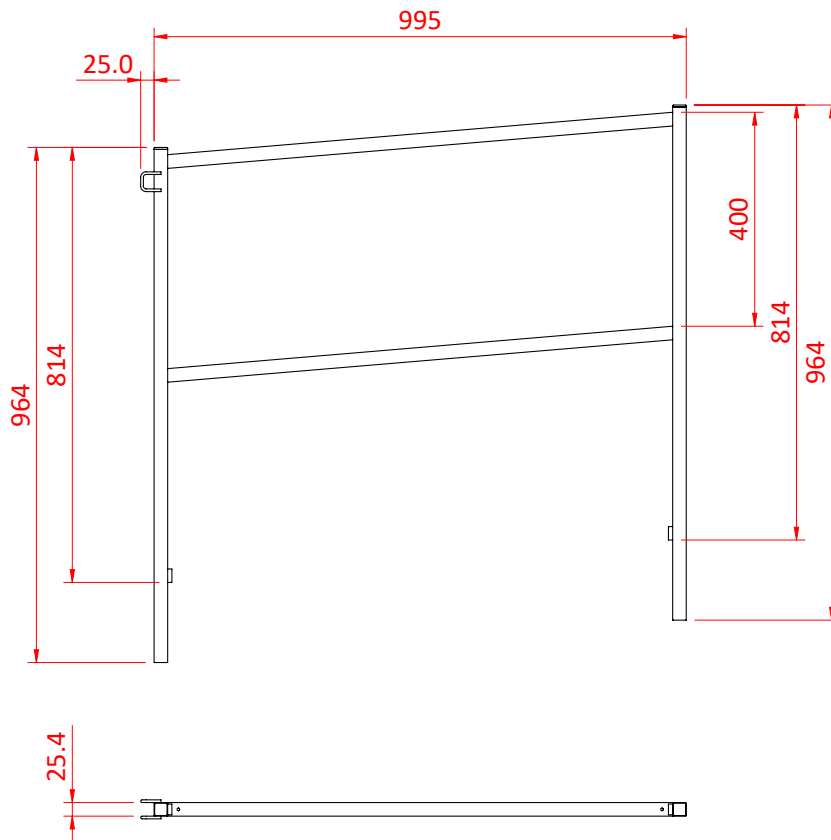
T76900



T77000



T77100



T77110

