



90° Curved Studio Rail 60

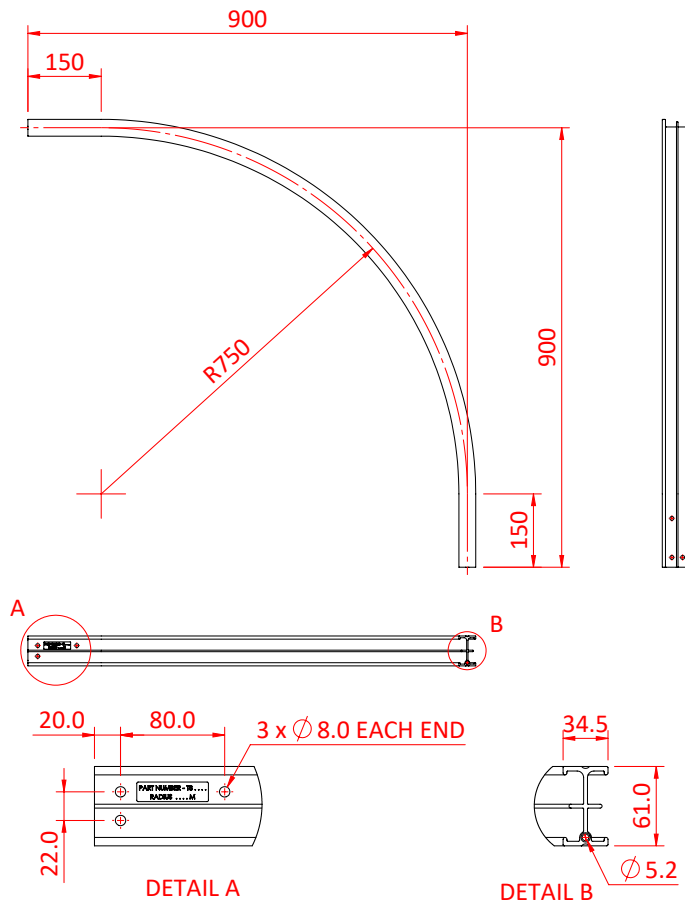
Product Data Sheet



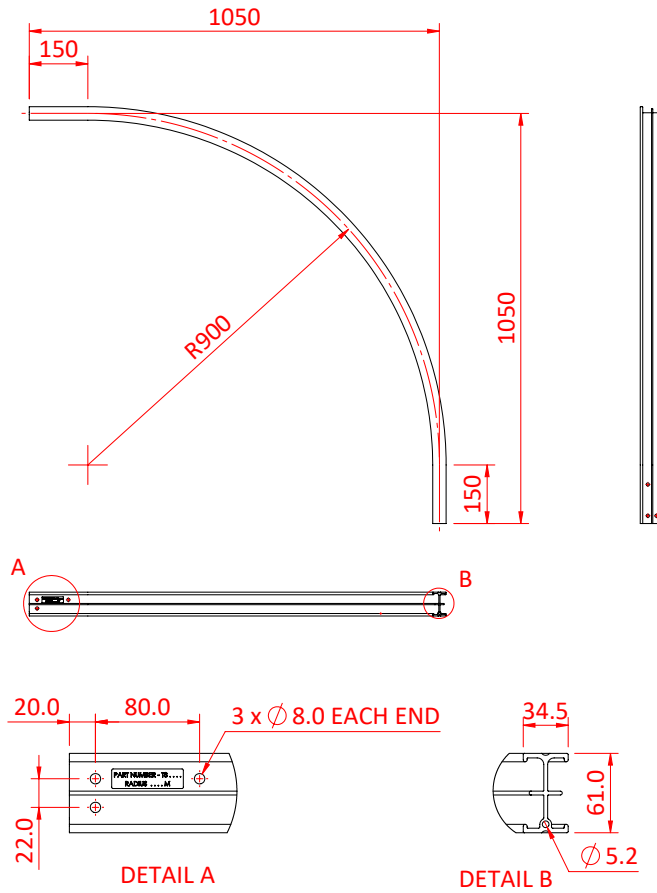
Studio Rail 60 - 90° Curve Sections	
Part Nos	T84017 - Rad 0.75m - 2.15Kg T84018 - Rad 0.90m - 2.49Kg T84019 - Rad 1.05m - 2.83Kg T84020 - Rad 1.20m - 3.18Kg T84025 - Rad 1.35m - 3.51Kg T84030 - Rad 1.50m - 3.85Kg
Material	AW6082 - Aluminium
Finish	Natural

T84017

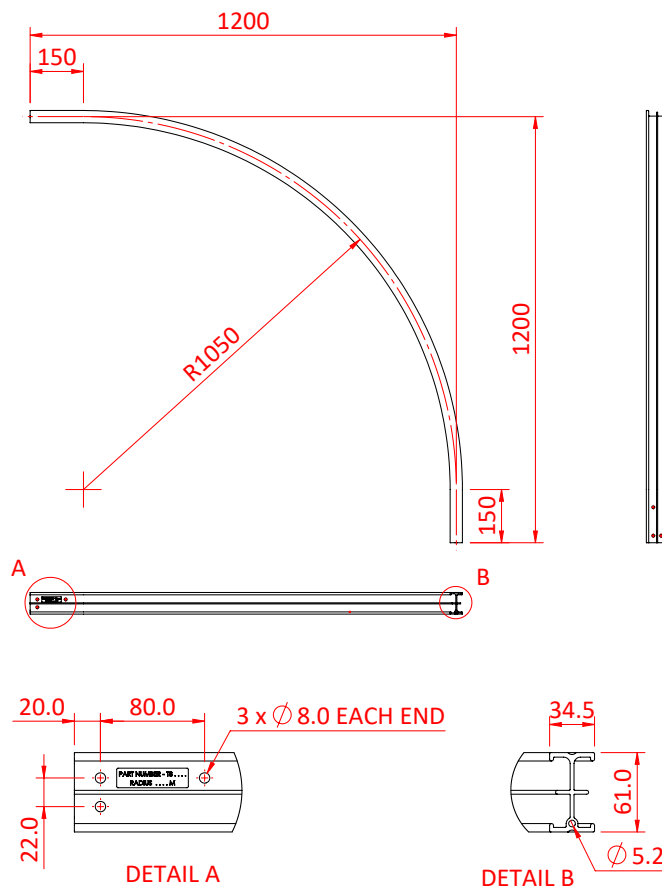
Dimensions in mm



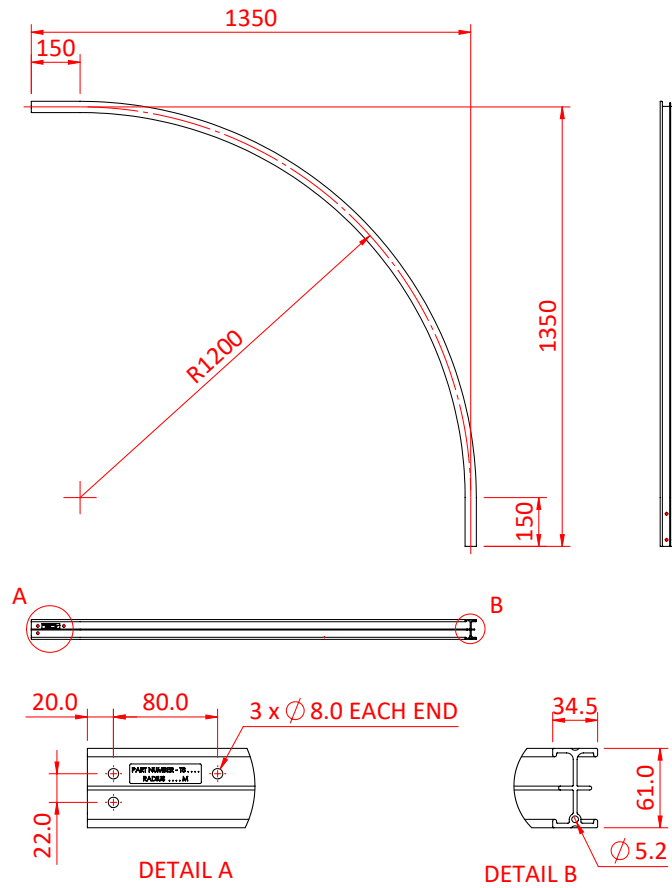
T84018



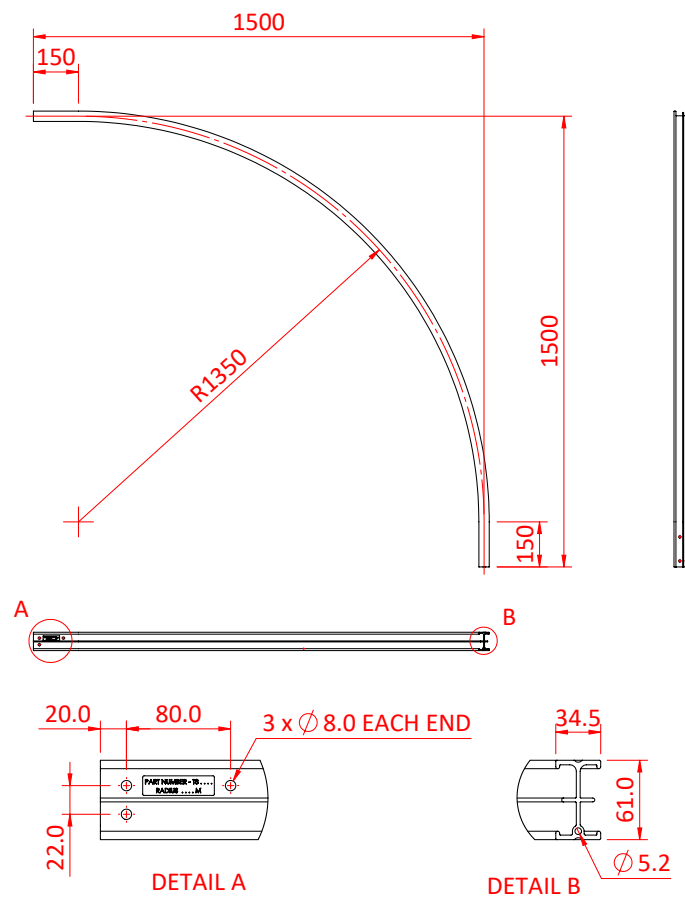
T84019



T84020



T84025



T84030

