



Studio Rail 60 - 90° Curves - Black

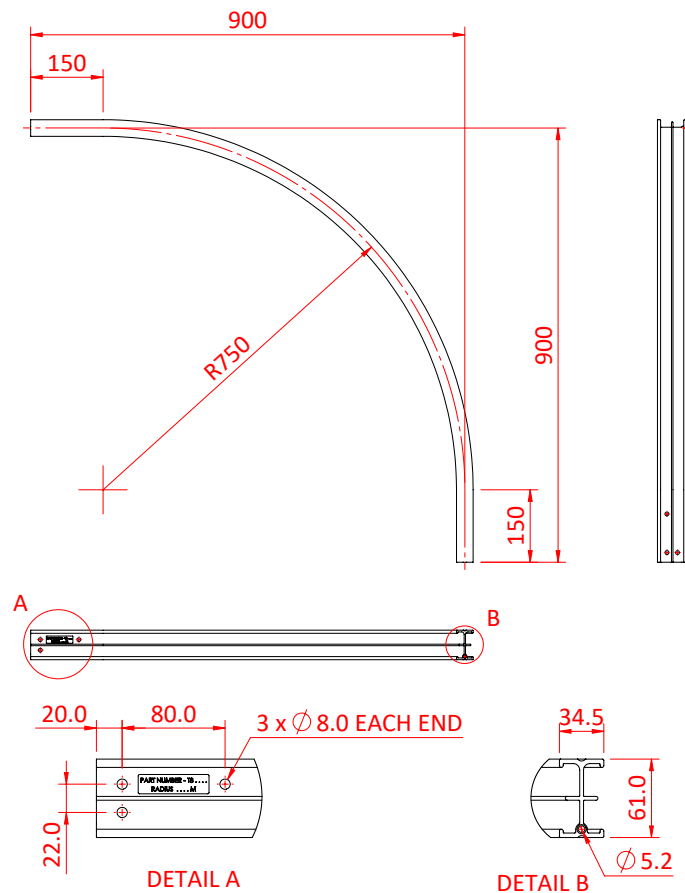
Product Data Sheet



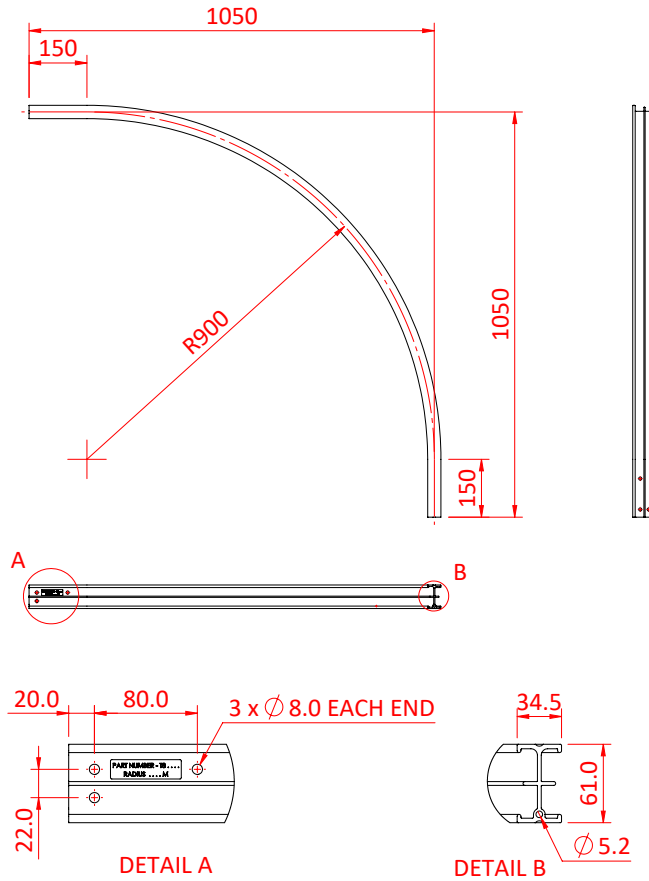
Studio Rail 60 - 90° Curve Sections	
Part Nos	T84052 - Rad 0.75m - 2.15Kg T84053 - Rad 0.90m - 2.49Kg T84054 - Rad 1.05m - 2.83Kg T84055 - Rad 1.20m - 3.18Kg T84060 - Rad 1.35m - 3.51Kg T84065 - Rad 1.50m - 3.85Kg
Material	AW6082 - Aluminium
Finish	Powder painted black

Dimensions in mm

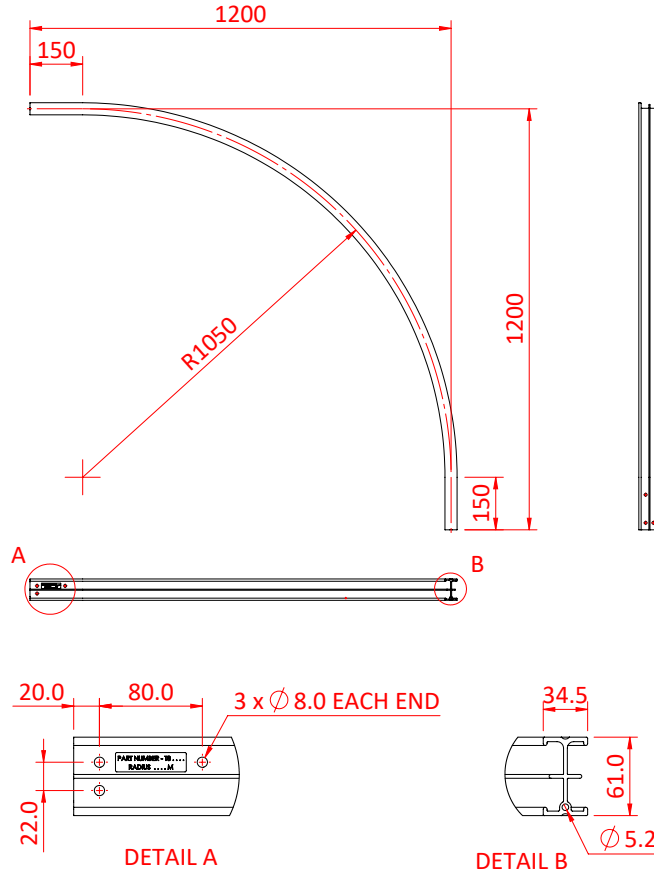
T84052



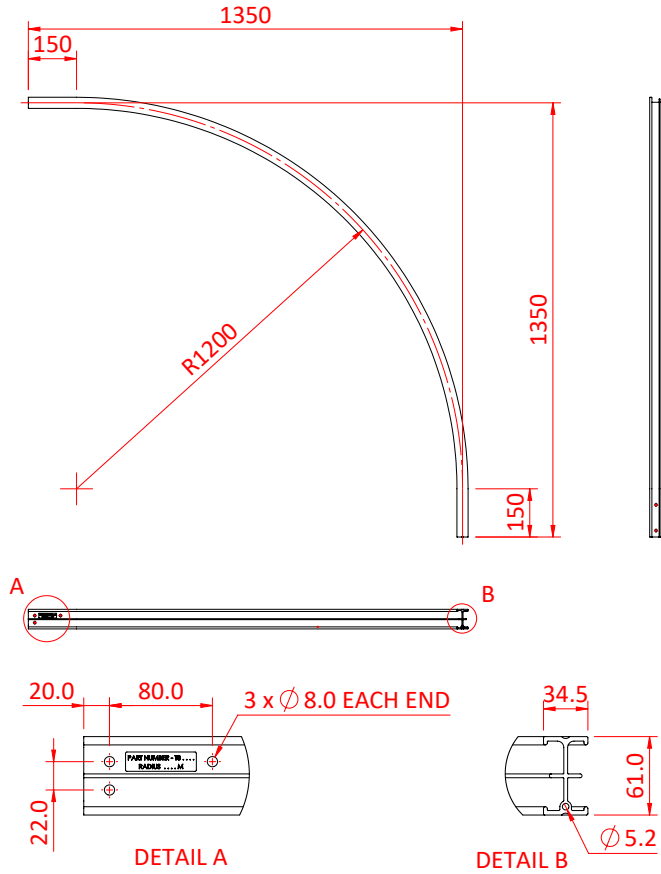
T84053



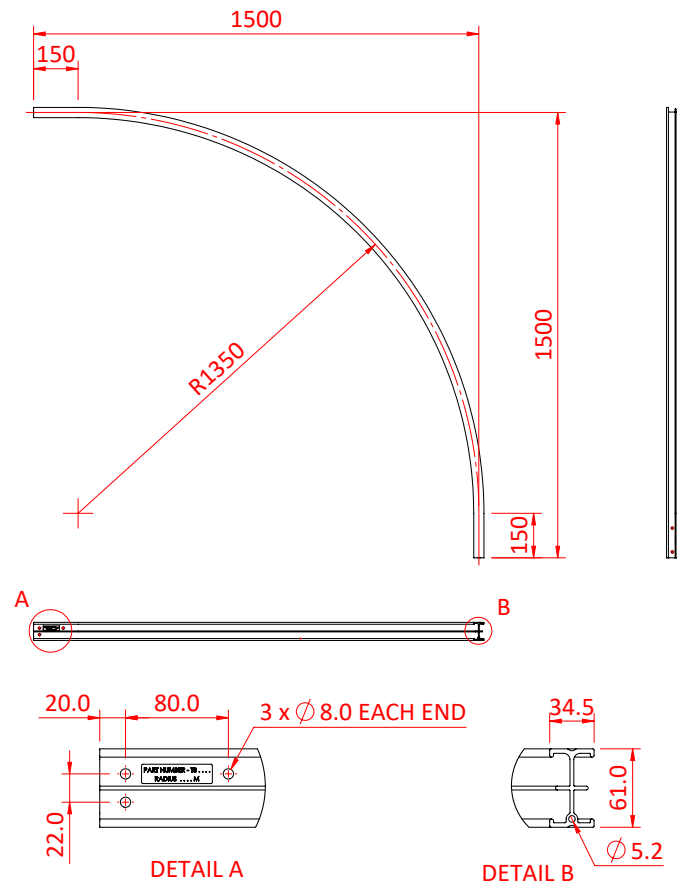
T84054



T84055



T84060



T84065

