



Studio Rail 60 - Adjustable Stud Hanger

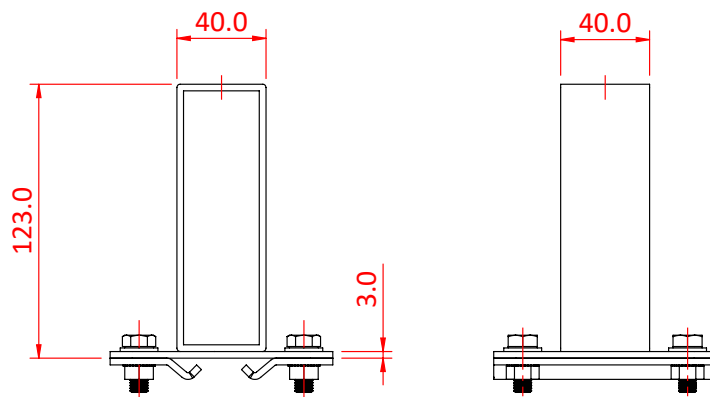
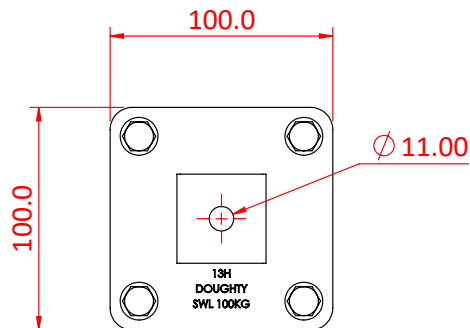
Product Data Sheet



A Studio Rail Adjustable Stud Hanger	
Part Nos	T84170 - M10 T84175 - M12
Material	S275 Mild Steel
Finish	Powder painted black
WLL	100Kg
Safety Factor	5:1
Weight	0.76Kg

Dimensions in mm

T84170



T84175

