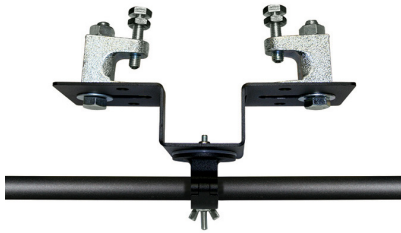




Swivel Arm - Girder Mounted

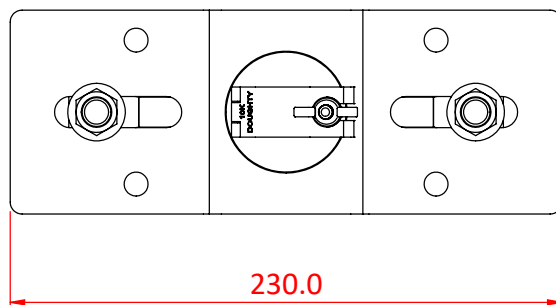
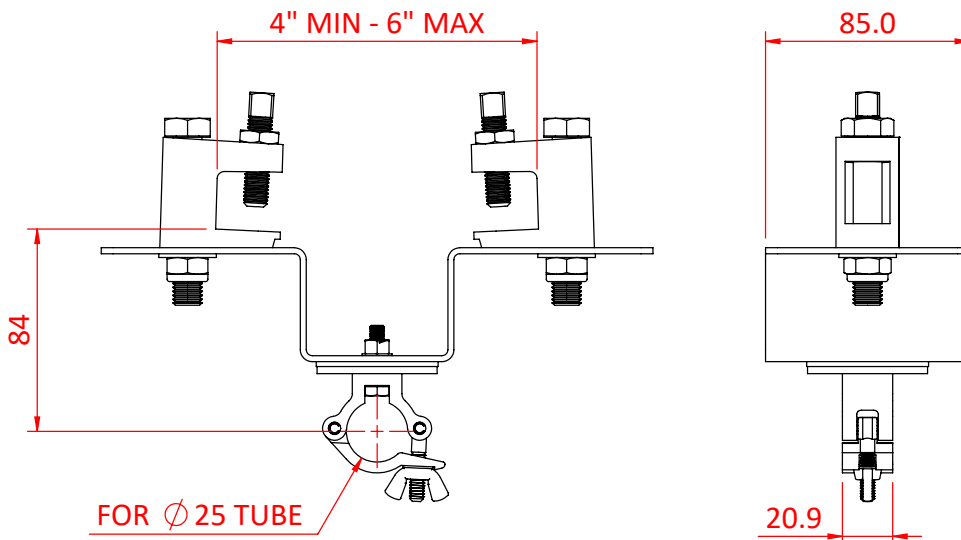
Product Data Sheet



Swivel Arm - Girder Mounted	
Part Nos	T84510 - Supplied with Flange Clamps T84511 - Supplied with 25mm x 2.0m Tube
Fits Girders	100 - 150mm
Material	S275 Mild Steel
Finish	Powder Painted

T84510

Dimensions in mm



T84511

