



Swivel Arm - Studio Rail Mounted

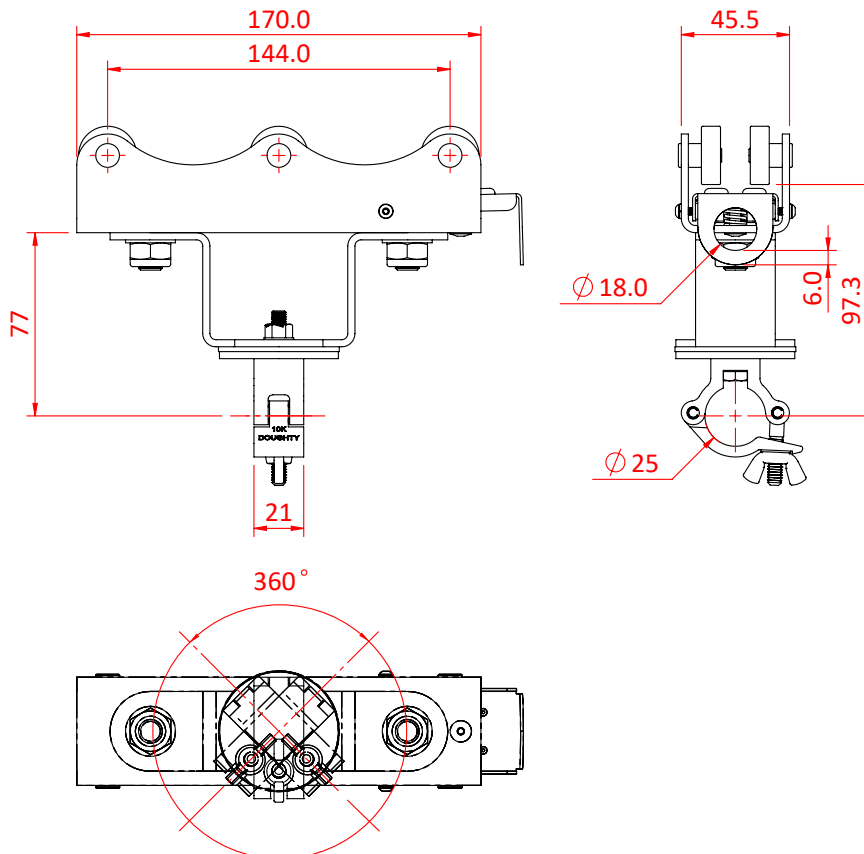
Product Data Sheet



Swivel Arm - Studio Rail Mounted	
Part Nos	T84515 - Supplied 6 Wheel Carriage T84516 - Supplied with 25mm x 2.0m Tube
Clamp Diameter	Ø25mm
Material	S275 Mild Steel
Finish	Powder painted black
WLL	Up to 25Kg

Dimensions in mm

T84515



T84516

