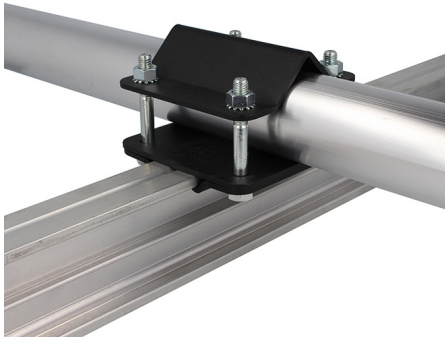




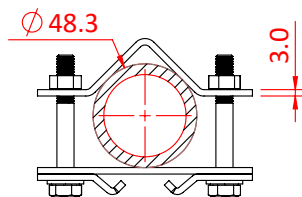
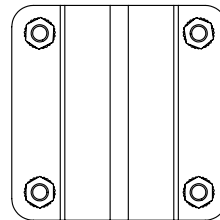
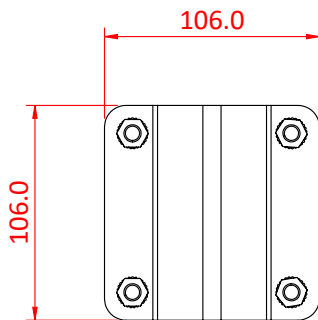
Studio Rail 80 To Tube Bracket

Product Data Sheet

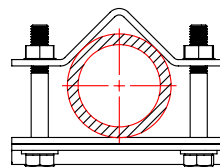


A studio rail barrel bracket	
Part Nos	T85180
Material	S275 Mild Steel
Finish	Powder painted black
WLL	100Kg
Safety Factor	5:1
Weight	0.90Kg

Dimensions in mm



TUBE PARALLEL TO STUDIO RAIL



TUBE PERPENDICULAR TO STUDIO RAIL

