



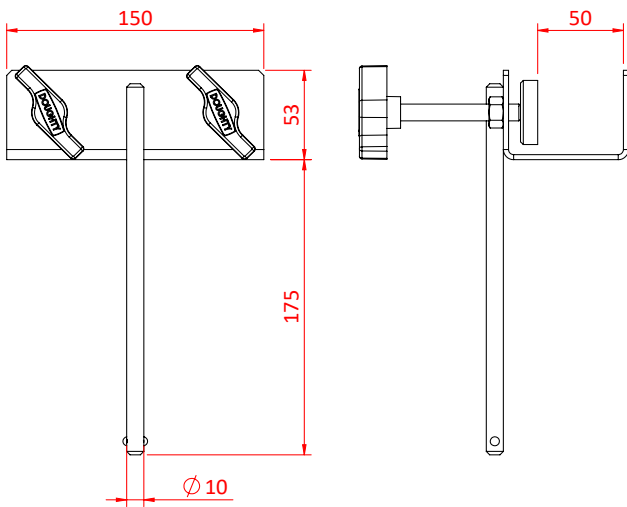
Frame Clamps

Product Data Sheet



A steel frame clamp with Ø10mm pin	
Part Nos	G1113 - 50mm - 1.00Kg G1114 - 25mm - 0.74Kg
Pin Diameter	Ø10mm
Materials	Mild Steel
Finish	Zinc Plated
WLL	Not Rated

G1113



G1114

