



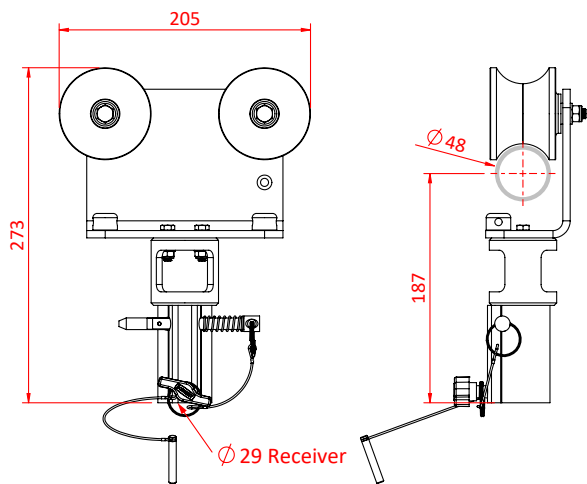
# Slimline Barrel Trolleys

## Product Data Sheet



Slimline Barrel Trolleys	
<b>Part Nos</b>	G1605 - Slimline Barrel Trolley G1645 - Braked Slimline Barrel Trolley
<b>Tube Diameter</b>	Ø48mm
<b>Receiver</b>	29mm
<b>Materials</b>	AW6082 Aluminium Nylon Grade 8.8 Fasteners
<b>WLL</b>	75Kg
<b>Weight</b>	2.5Kg

**G1605**



**G1645**

