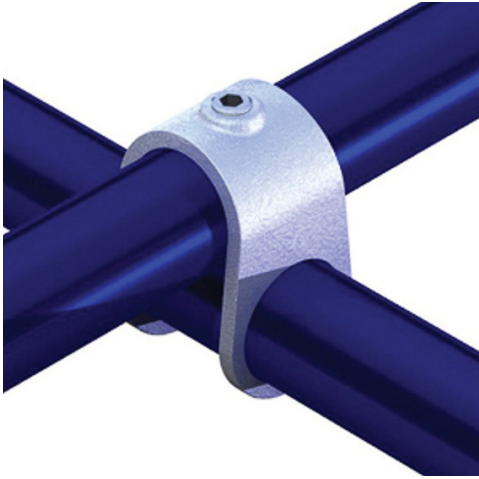


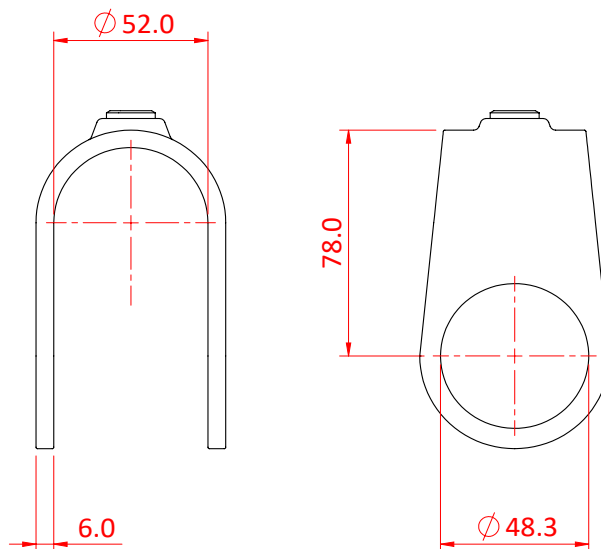


Product Data Sheet

Pipe Clamp Clamp On Crossover



A galvanized steel Pipe Clamp fitting.	
Part Nos	T16000 - Galvanised
Tube Diameter	Ø48.3mm
Materials	Malleable Iron Fixings - Grade 8.8 BZP
Max Tightening Torque	40Nm
WLL	N/A
Weight	0.62Kg



DIMENSIONS ARE A GUIDE ONLY AND MAY VARY