

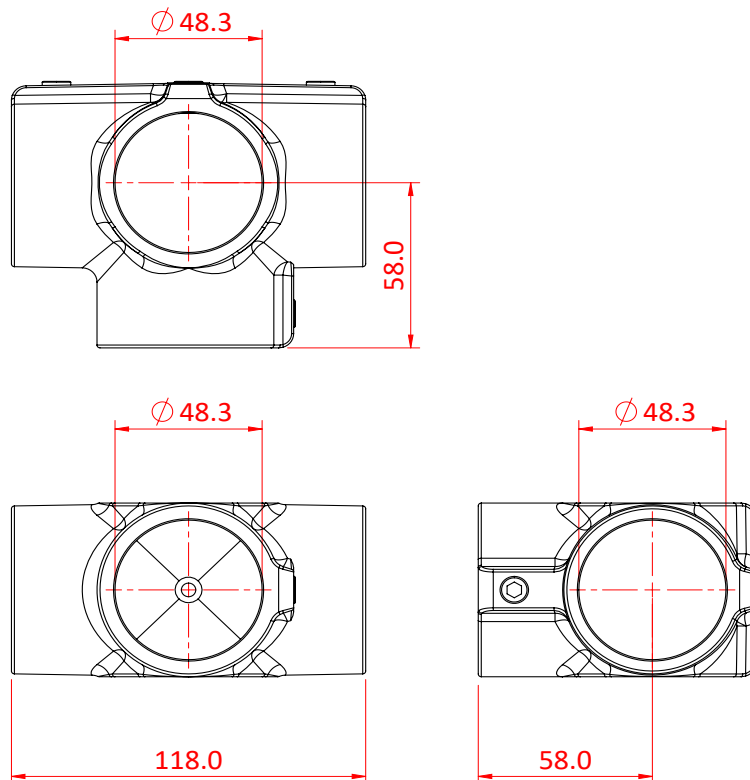


# Speedrail Slimline Side Outlet Tee

Product Data Sheet



A magnesium alloy pipe fitting.	
<b>Part Nos</b>	T194013E
<b>Tube Diameter</b>	Ø48.3mm
<b>Materials</b>	Magnesium Alloy 535 Fixings - Grade 8.8 BZP
<b>Max Tightening Torque</b>	22Nm
<b>WLL</b>	N/A
<b>Weight</b>	0.32Kg



DIMENSIONS ARE A GUIDE ONLY AND MAY VARY