

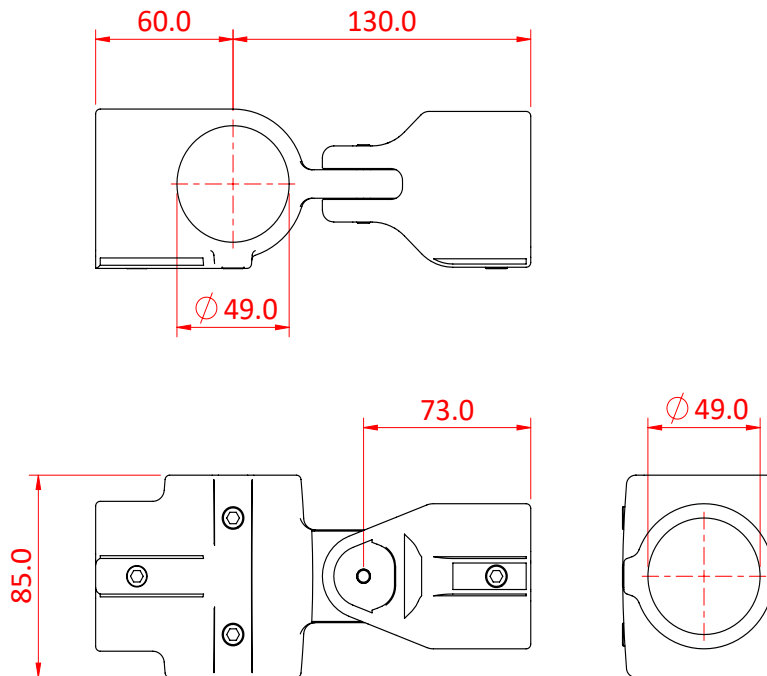


Speedrail Swivle Tee Combination

Product Data Sheet



A magnesium alloy pipe fitting.	
Part Nos	T194023
Tube Diameter	Ø48.3mm
Materials	Magnesium Alloy 535 Fixings - Grade 8.8 BZP
Max Tightening Torque	22Nm
WLL	N/A
Weight	0.55Kg



DIMENSIONS ARE A GUIDE ONLY AND MAY VARY