

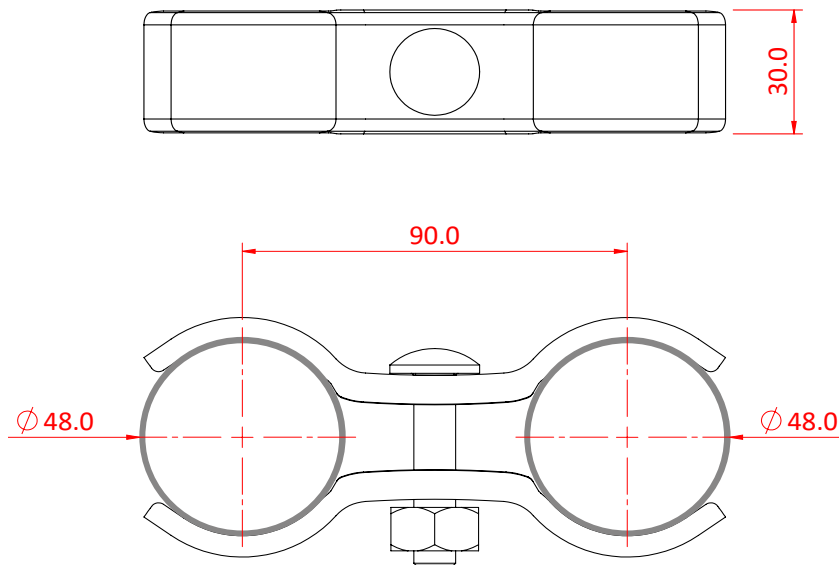


# Scaffold Parallel Coupler

## Product Data Sheet



A zinc plated parallel pipe coupler.	
<b>Part Nos</b>	T24905
<b>Tube Diameter</b>	Ø48.3mm
<b>Finish</b>	Zinc Plated - Colour may vary
<b>Max Tightening Torque</b>	N/A
<b>Weight</b>	0.77Kg
<b>WLL</b>	This item is NOT Load Rated



DIMENSIONS ARE A GUIDE ONLY AND MAY VARY