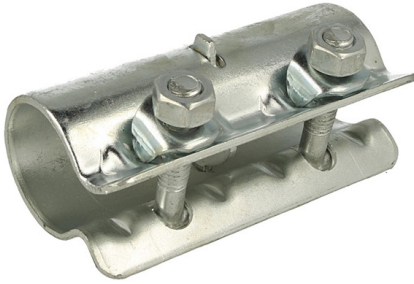


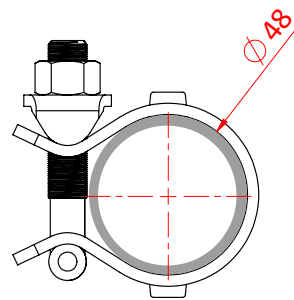
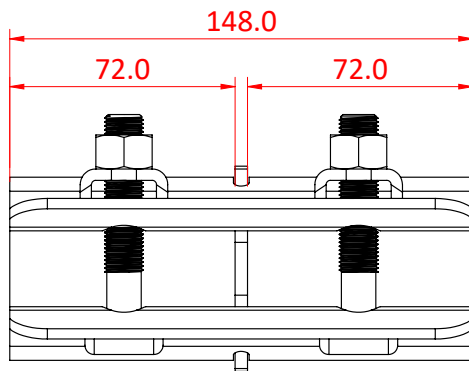


# Scaffold Sleeve Coupler

Product Data Sheet



A zinc plated sleeve coupler.	
<b>Part Nos</b>	T25000
<b>Tube Diameter</b>	Ø48.3mm
<b>Finish</b>	Zinc Plated - Colour may vary
<b>Max Tightening Torque</b>	N/A
<b>Weight</b>	0.50Kg
<b>WLL</b>	This item is NOT Load Rated



DIMENSIONS ARE A GUIDE ONLY AND MAY VARY

Doughty Engineering Ltd - Crow Arch Lane, Ringwood, Hampshire, BH24 1NZ, UK  
+44 (0) 1425 478961, sales@doughty-engineering.co.uk - www.doughty-engineering.co.uk