



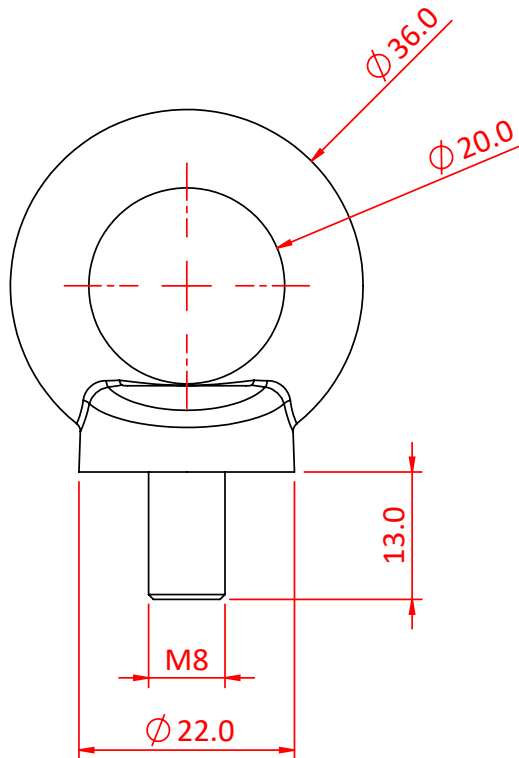
Product Data Sheet

M8 Large Eye Eye Bolt



A Steel Large Eye - Eye Bolt	
Part Nos	T39702
Thread	M8
Material	C15E
Finish	BZP
WLL	140Kg
Conforms to	DIN 580

Dimensions in mm



DIMENSIONS ARE A GUIDE ONLY AND MAY VARY

Doughty Engineering Ltd - Crow Arch Lane, Ringwood, Hampshire, BH24 1NZ, UK
+44 (0) 1425 478961, sales@doughty-engineering.co.uk - www.doughty-engineering.co.uk