



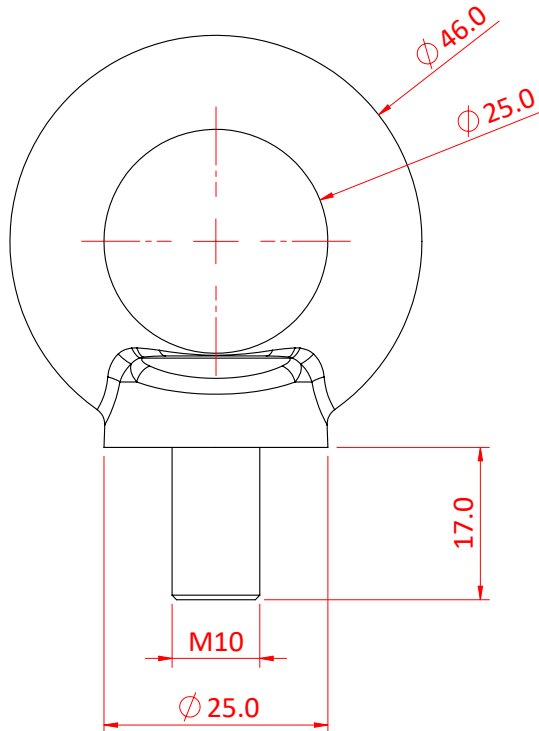
Product Data Sheet

# M10 Large Eye Eye Bolt



A Steel Large Eye - Eye Bolt	
Part Nos	T39802
Thread	M10
Material	C15E
Finish	BZP
WLL	230Kg
Conforms to	DIN 580

Dimensions in mm



DIMENSIONS ARE A GUIDE ONLY AND MAY VARY