



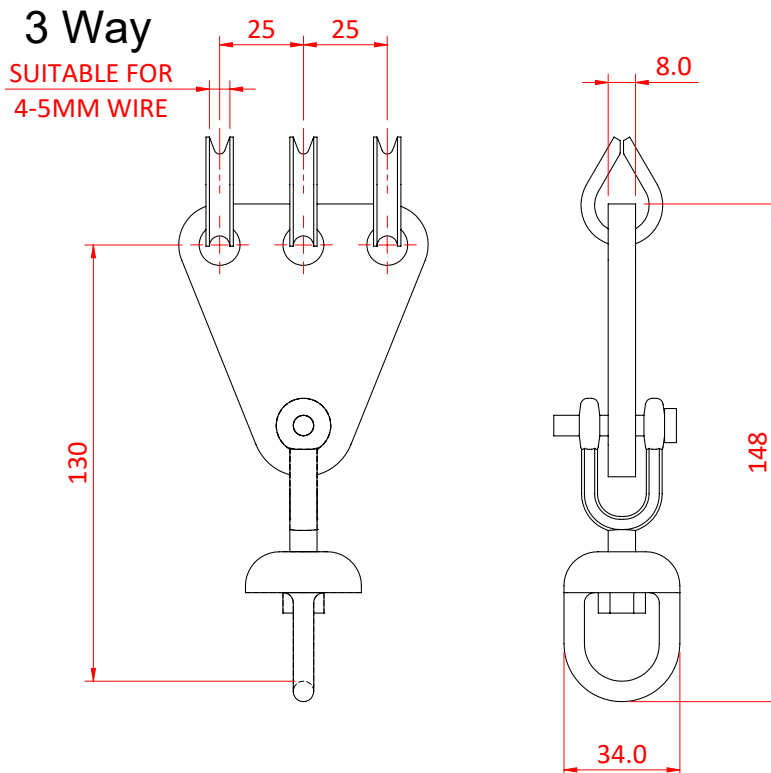
# Swivel Clews - 250Kg

Product Data Sheet



Swivel Clews - 250Kg	
<b>Part Nos</b>	T41000 - 3 Way
<b>Material</b>	S275 Mild Steel
<b>Finish</b>	Powder Painted
<b>WLL</b>	250Kg
<b>Safety Factor</b>	5:1

Dimensions in mm



DIMENSIONS ARE A GUIDE ONLY AND MAY VARY

Doughty Engineering Ltd - Crow Arch Lane, Ringwood, Hampshire, BH24 1NZ, UK  
+44 (0) 1425 478961, sales@doughty-engineering.co.uk - www.doughty-engineering.co.uk